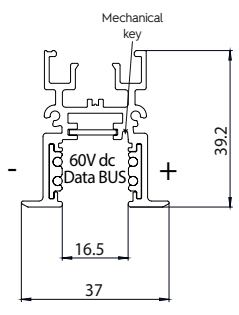
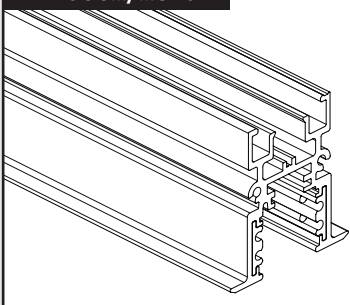
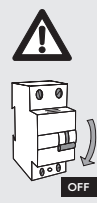


ST8

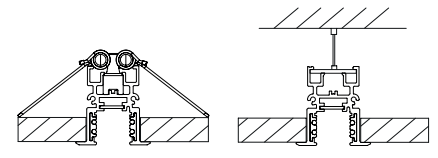
MULTISYSTEM

1 - 9500.../...ST8

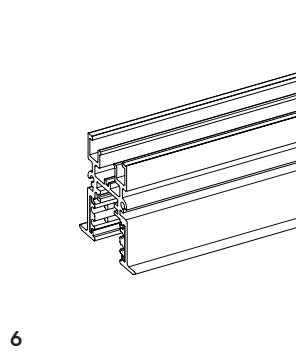
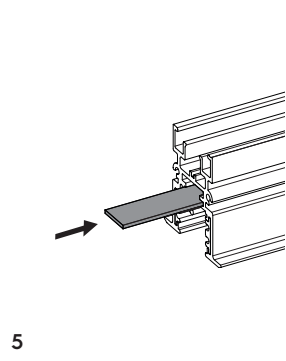
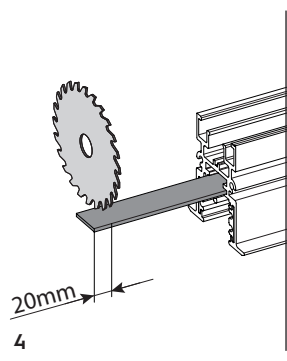
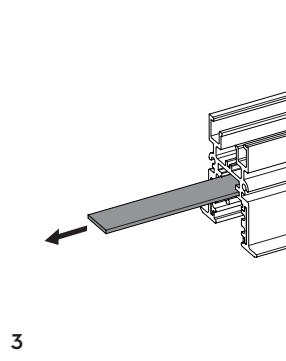
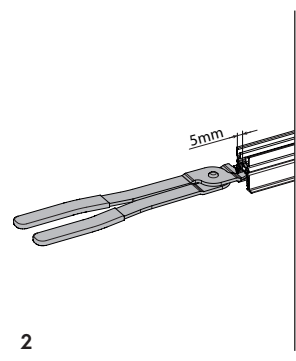
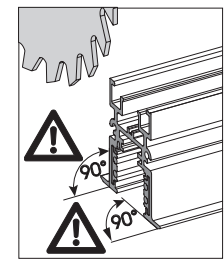
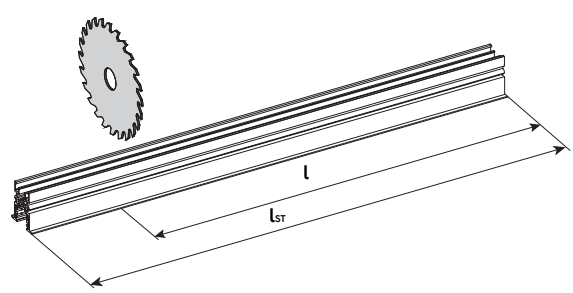
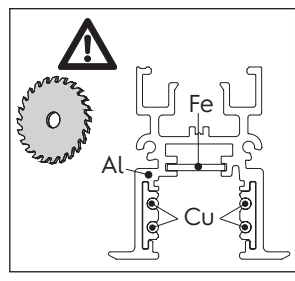


2 - USE

Recessed (ceiling - wall)

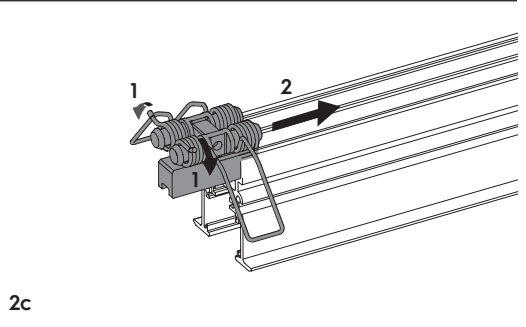
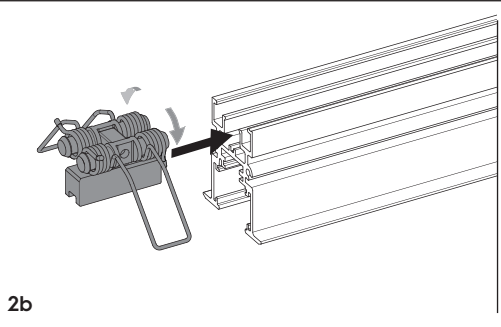
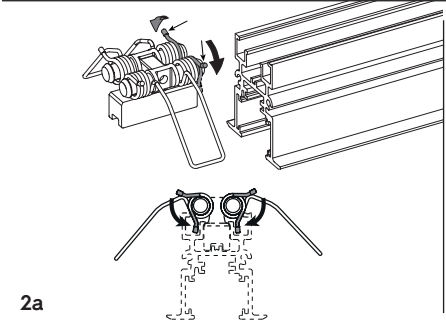
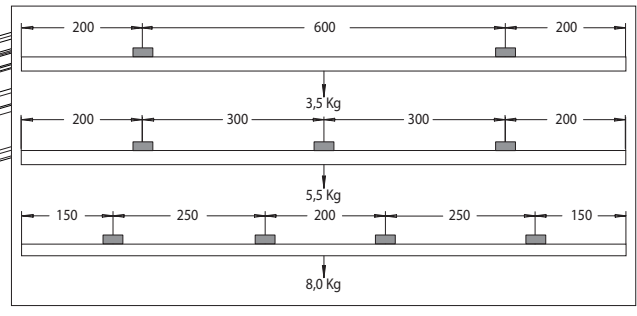
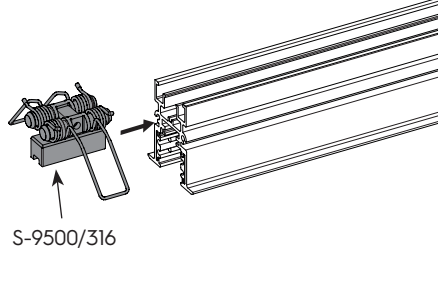
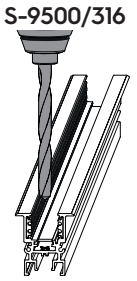
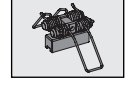


3 - CUTTING

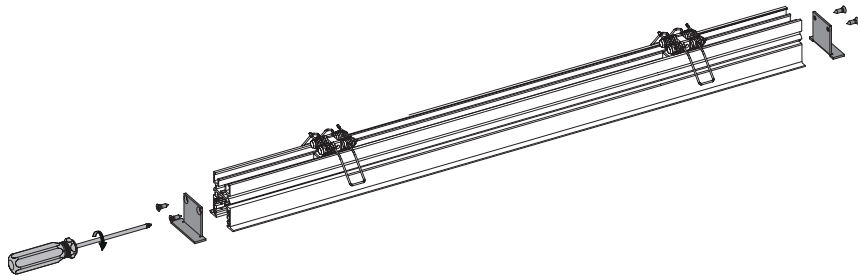


4 - RECESSED FIXING

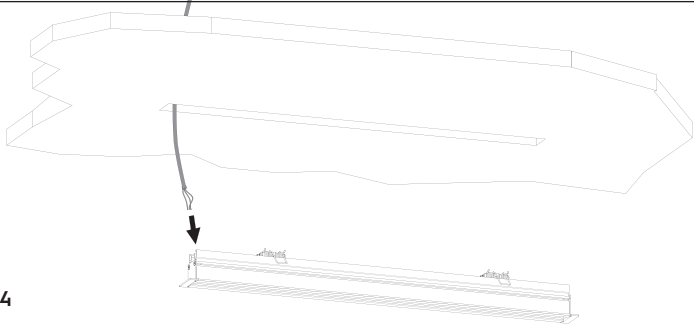
4a with spring S-9500/316



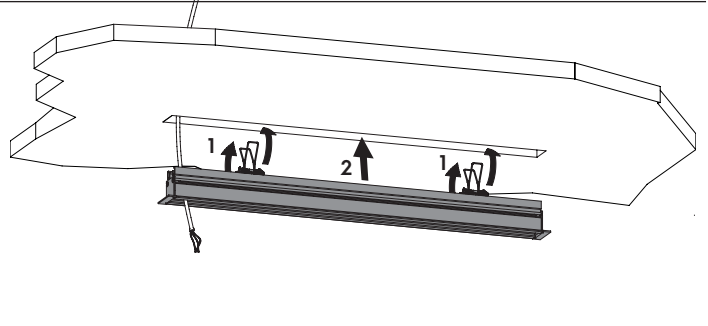
3



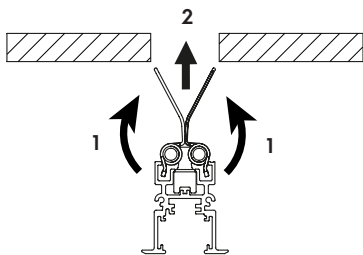
4



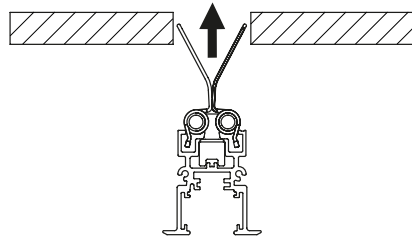
5



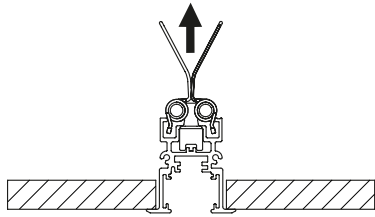
5a



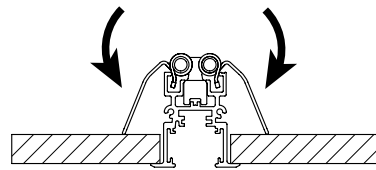
5b



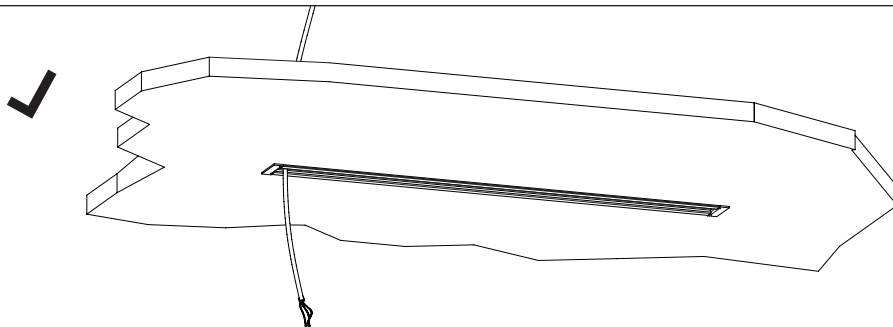
5c



5d

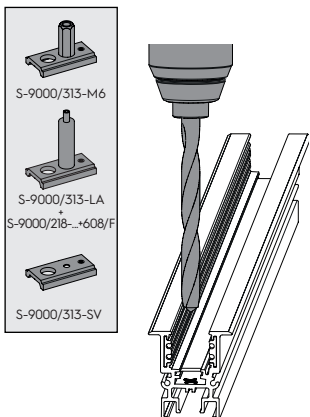


6

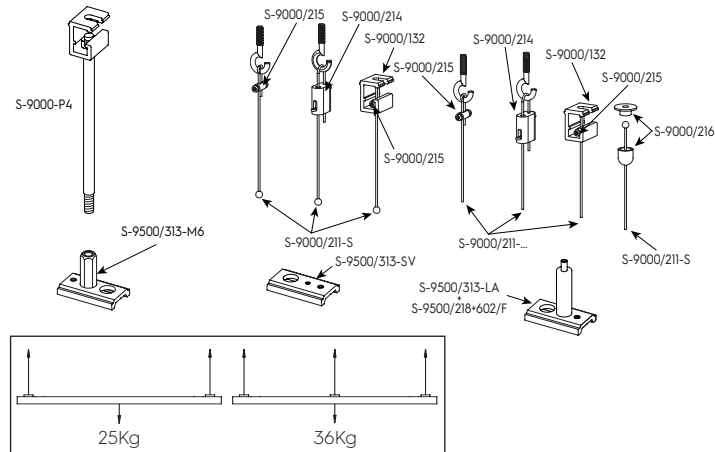


4b with bracket

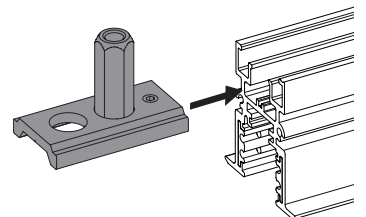
1

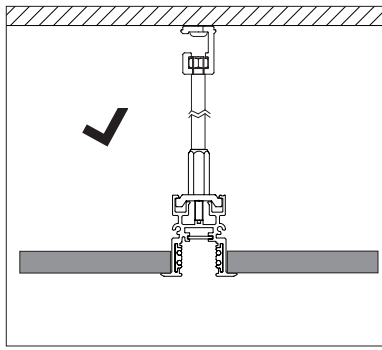
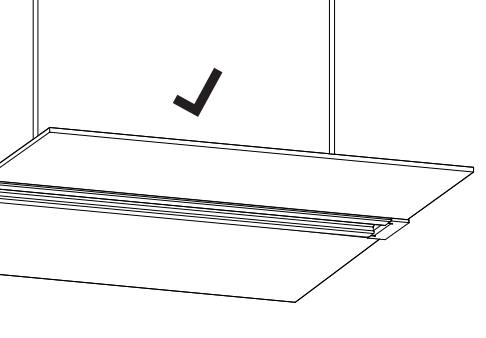
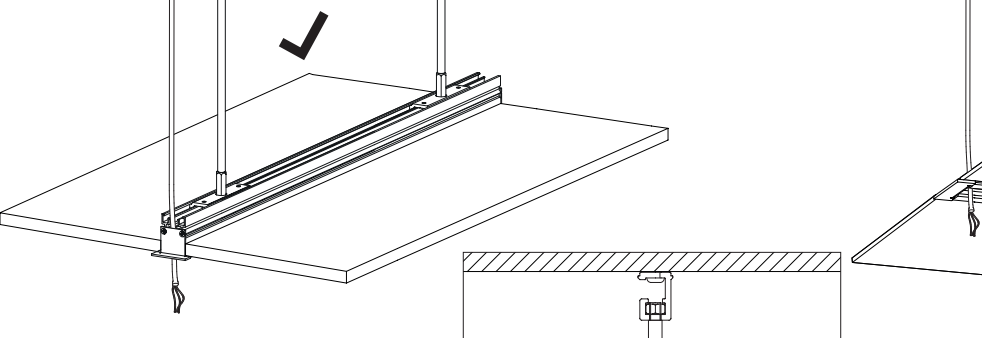
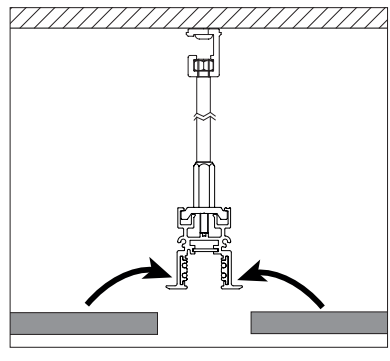
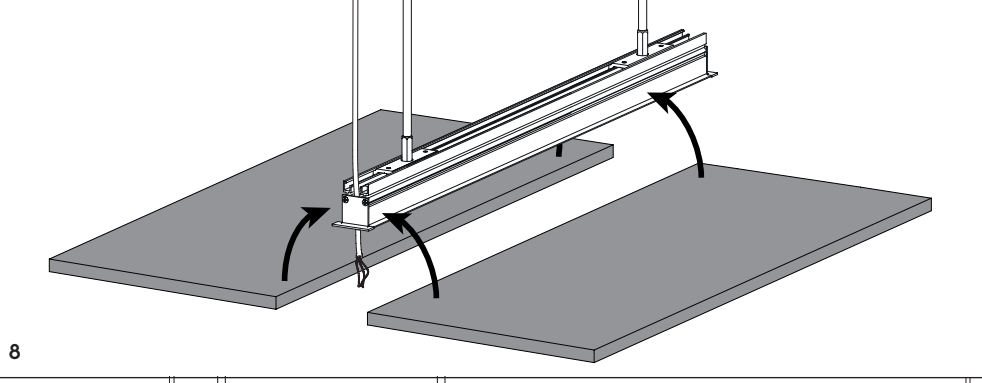
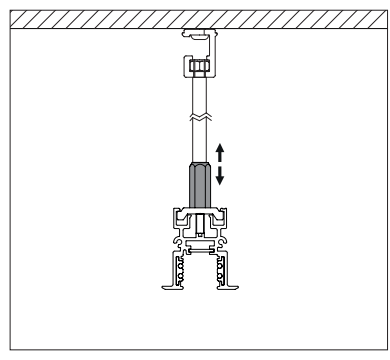
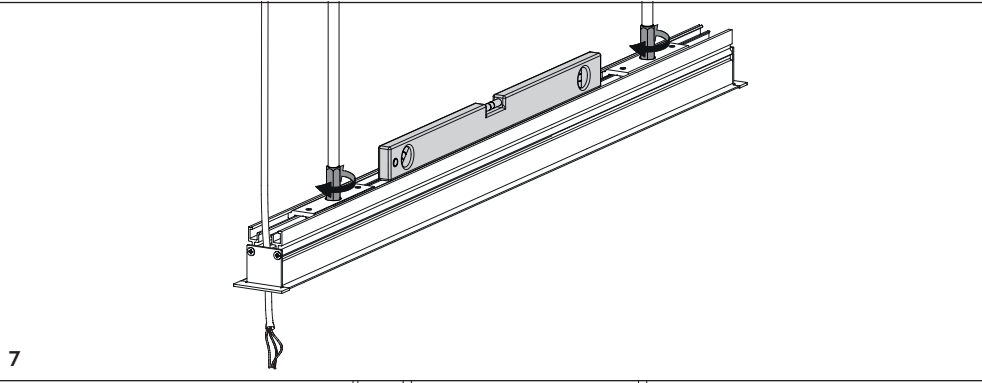
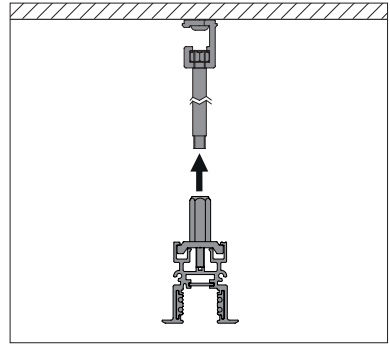
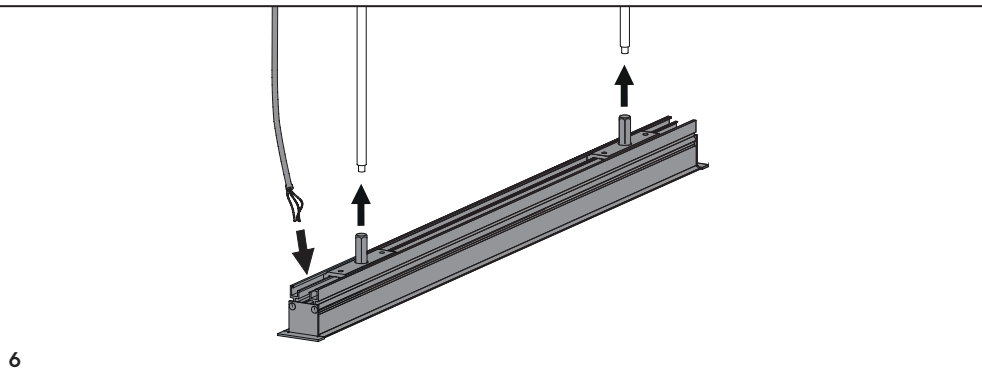
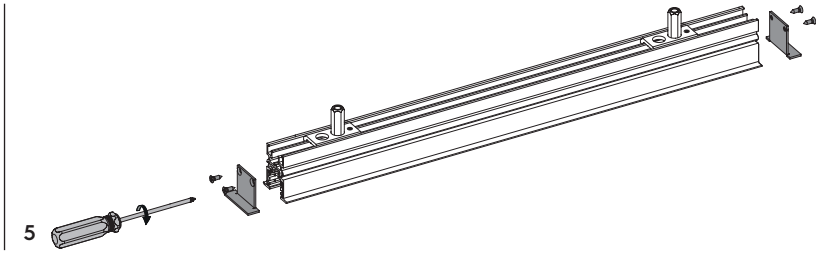
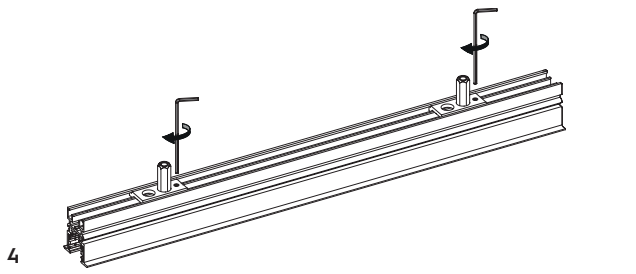


2



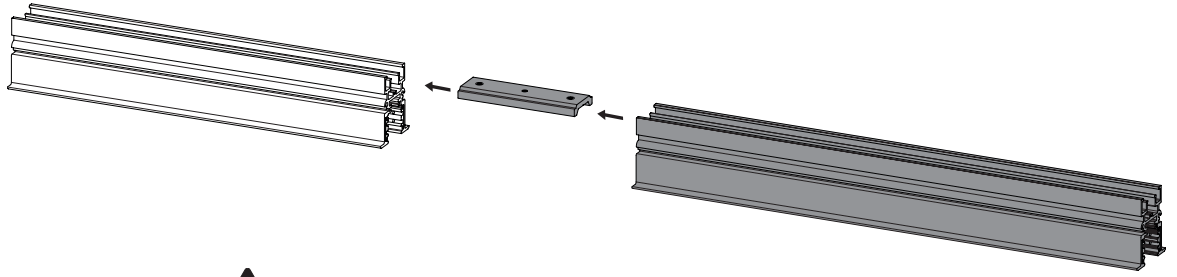
3



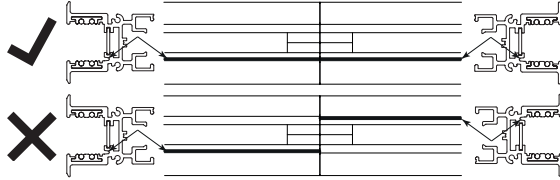


5 - IN ROW USE

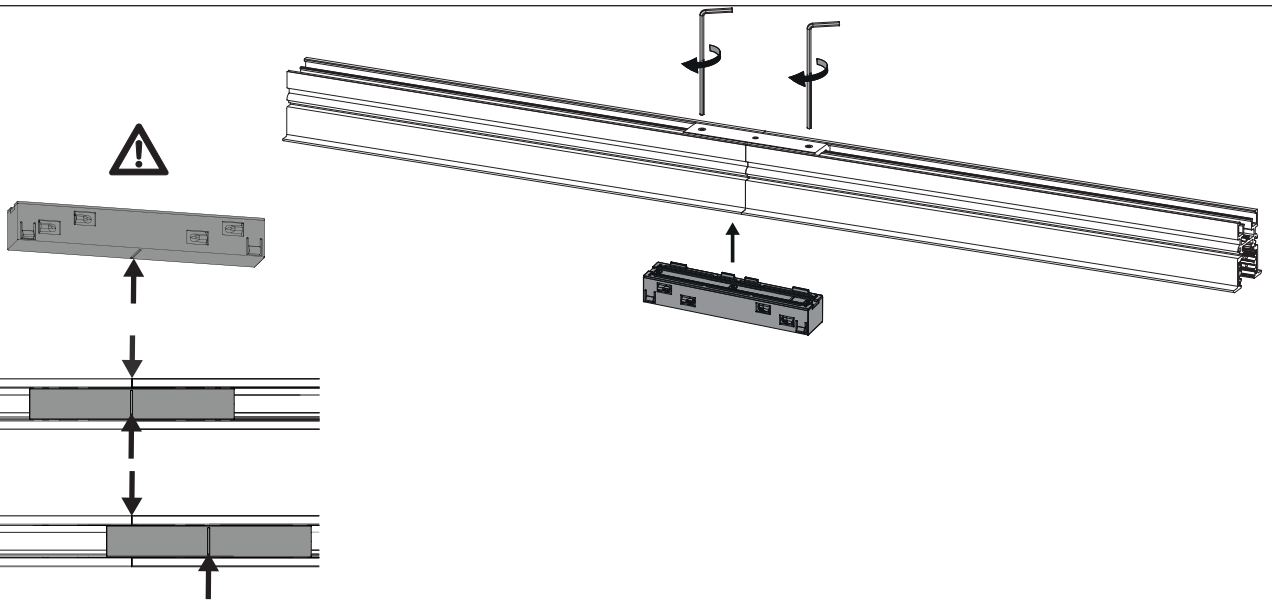
-  S-9500/323-M6-...
-  S-9500/323-M13-...
-  S-9500/323-LA-...
-  S-9000/218-...+608/F
-  S-9500/323-SV-...



POLARITY!



1



2