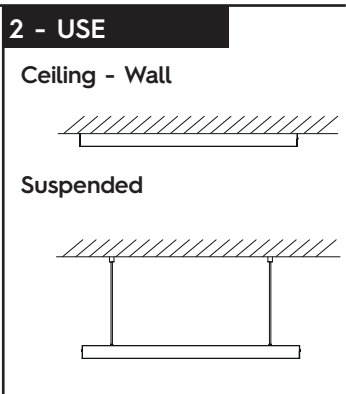
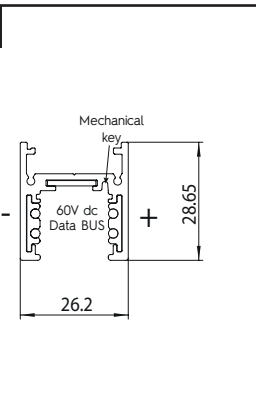
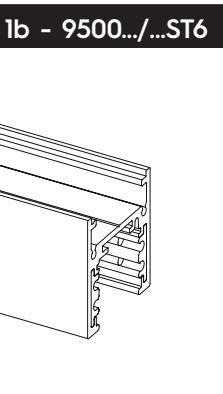
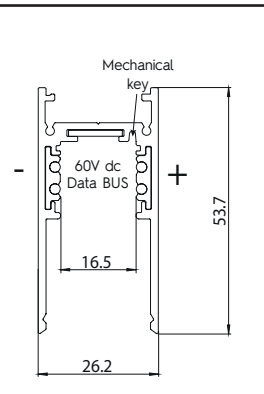
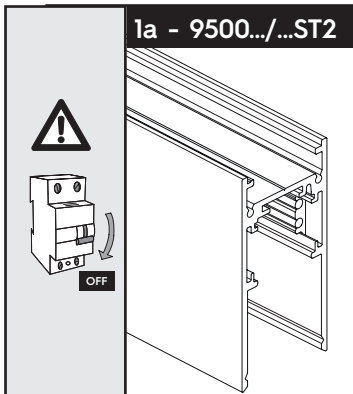
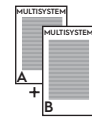
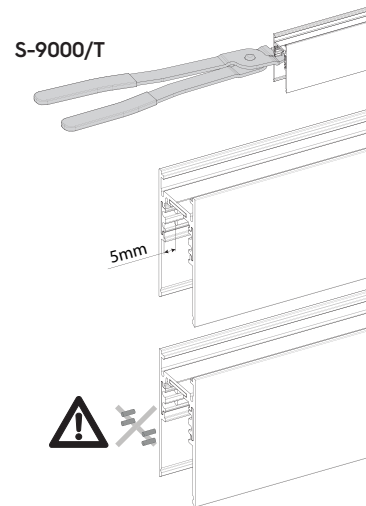
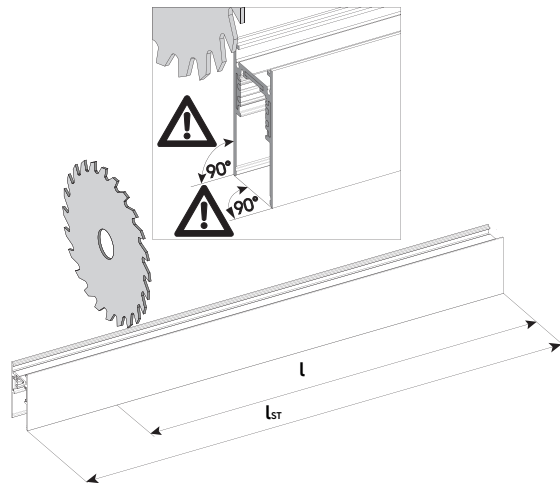
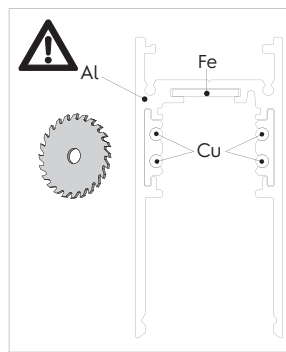


ST2
ST6

MULTISYSTEM

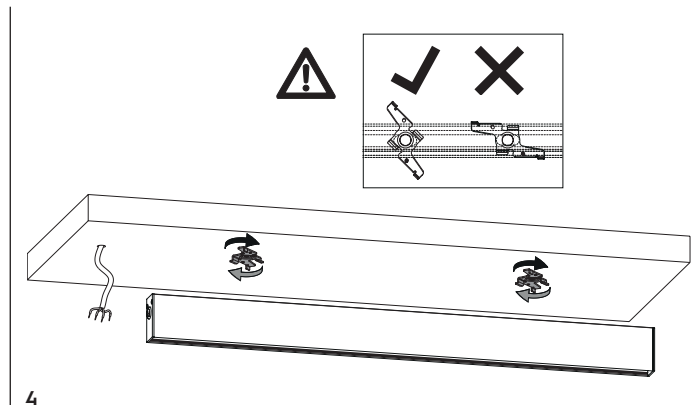
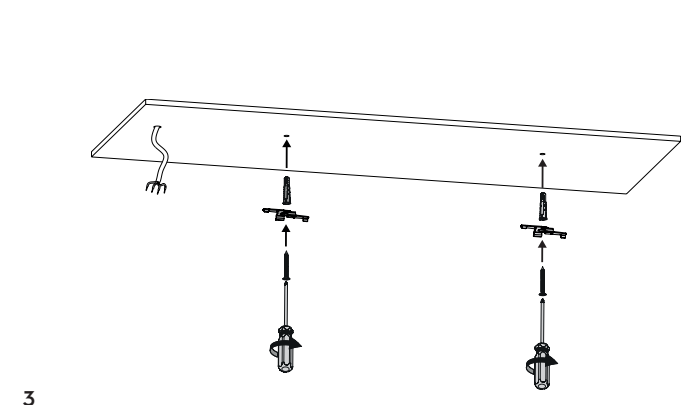
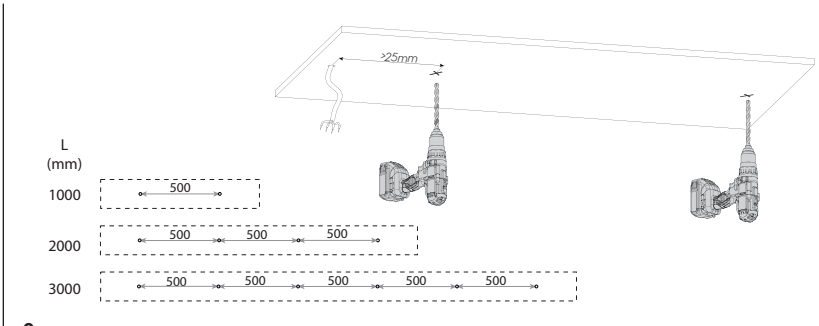
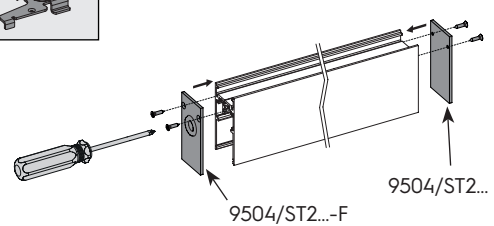
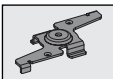


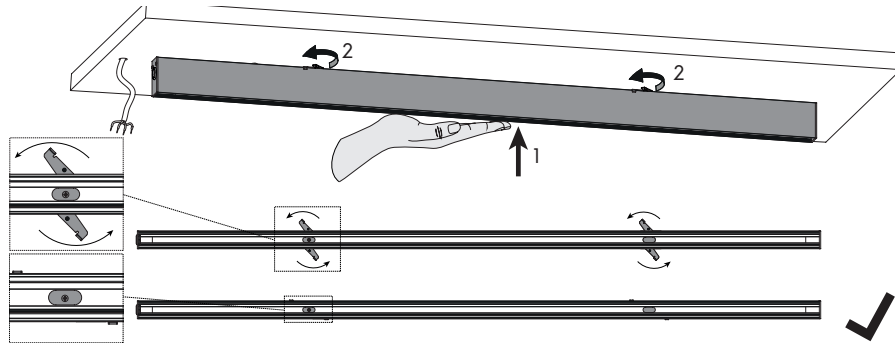
3 - CUTTING



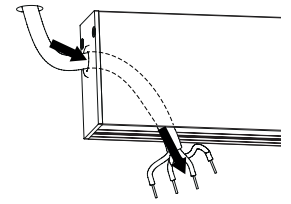
4 - CEILING FIXING

4a with S-9500/114



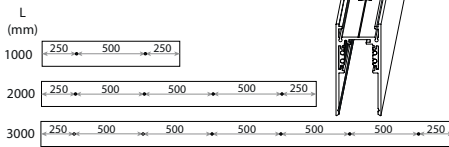


5

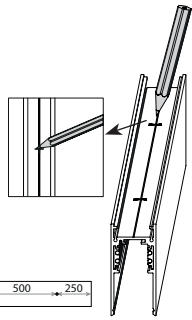


6

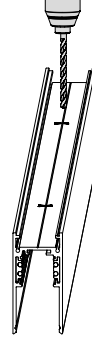
4b with screw



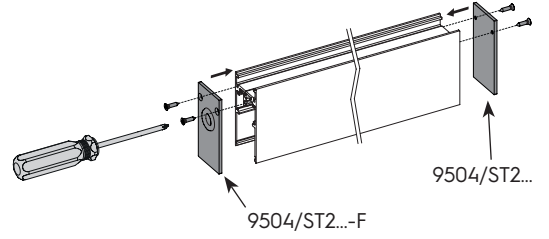
1



2



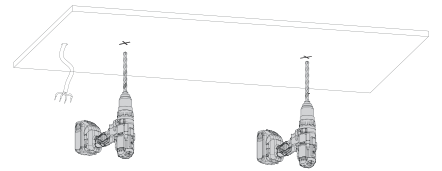
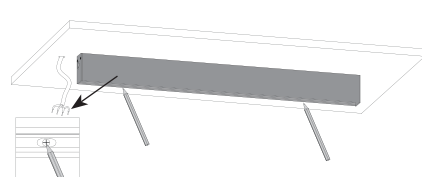
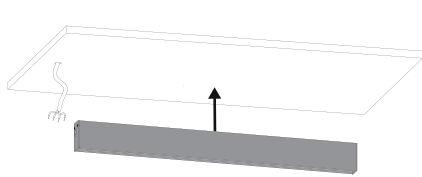
3



4

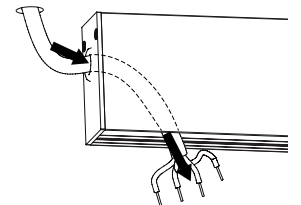
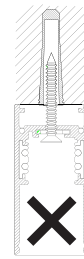
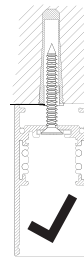
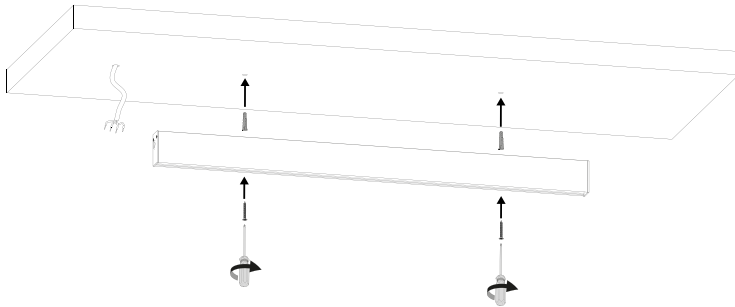
5

6

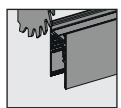


7

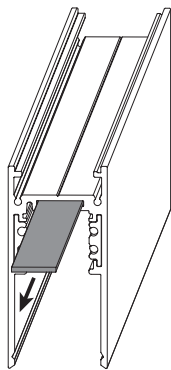
8



4c Cutted

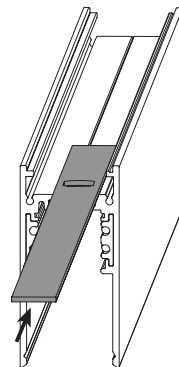


Ref. 3
Cutting

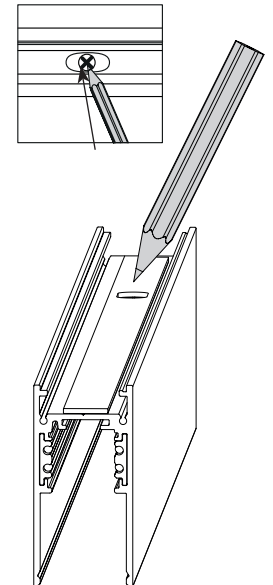


1

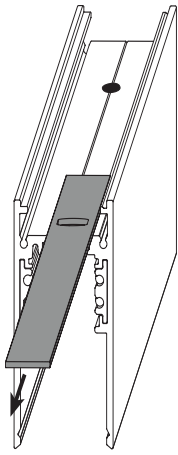
2



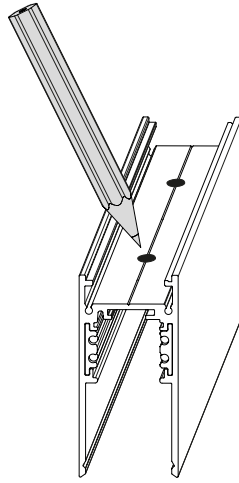
2



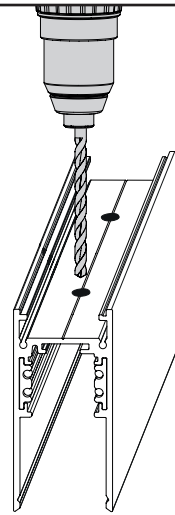
3



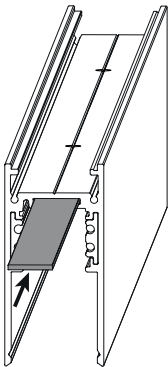
4



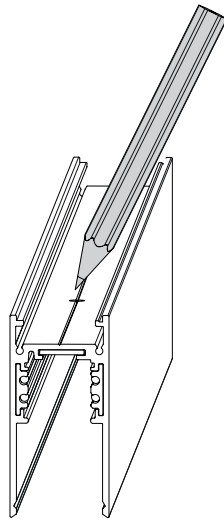
5



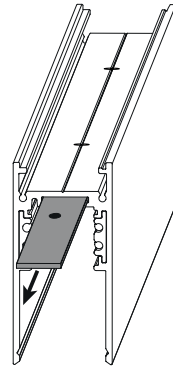
6



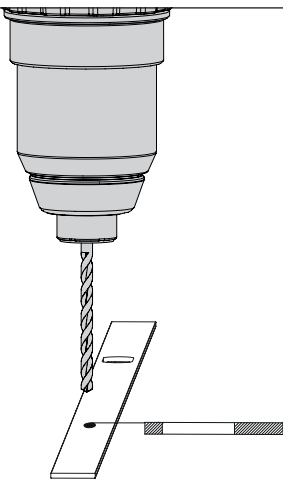
7



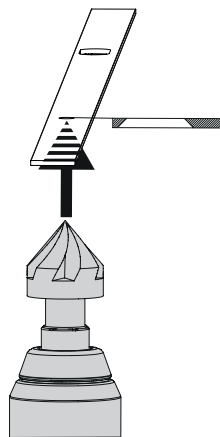
8



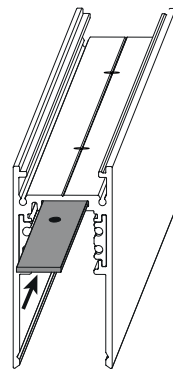
9



10



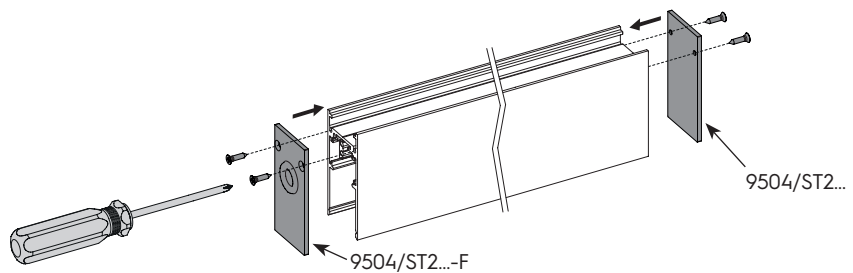
11



12

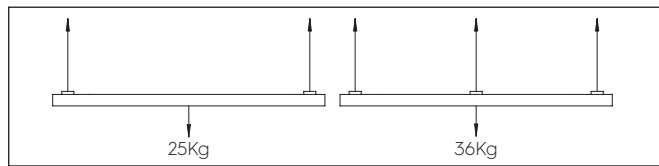
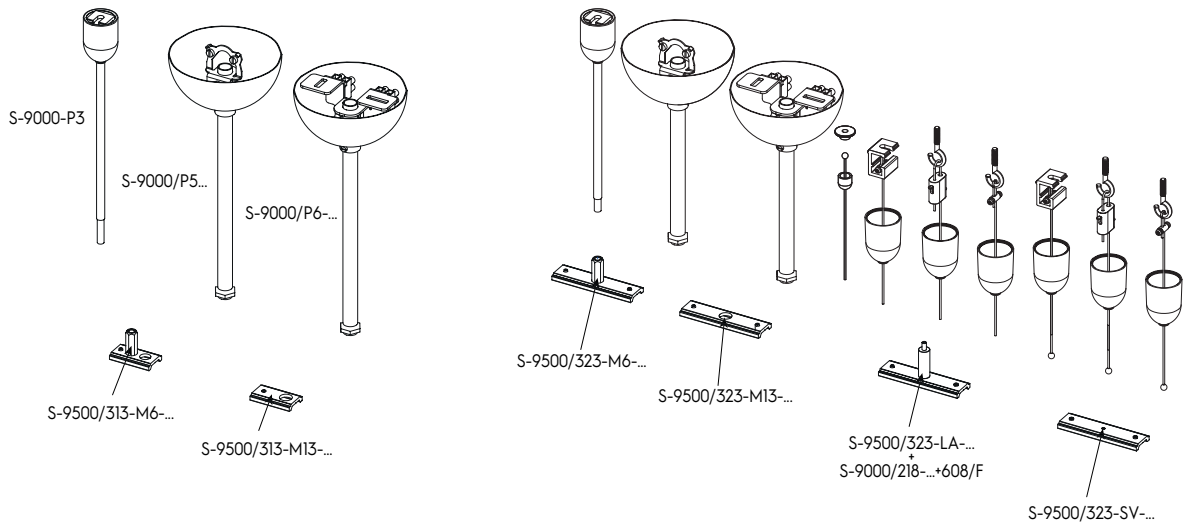
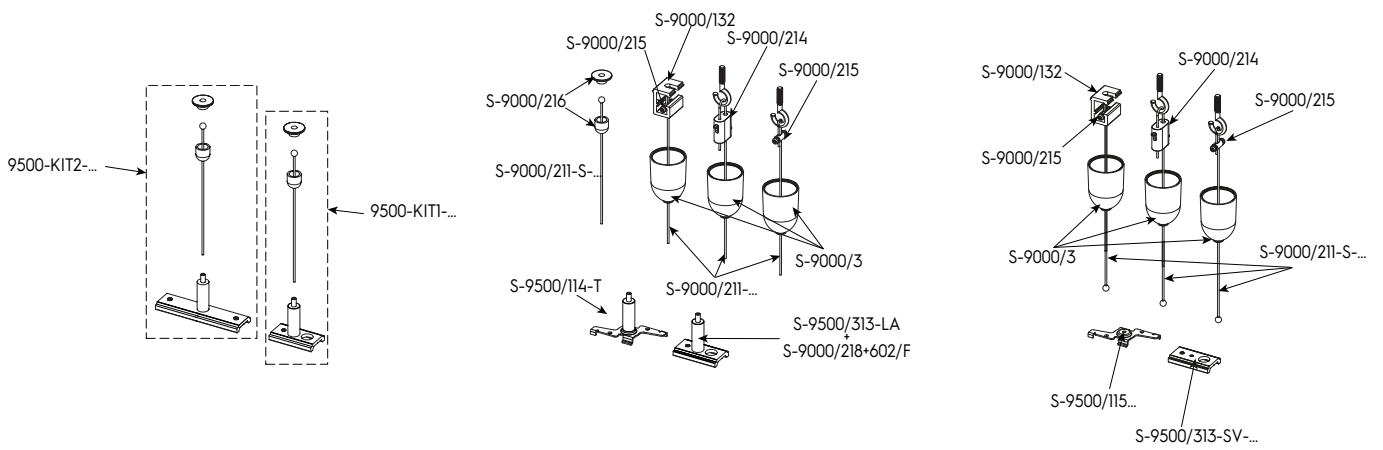


4b with screw
fig. 3

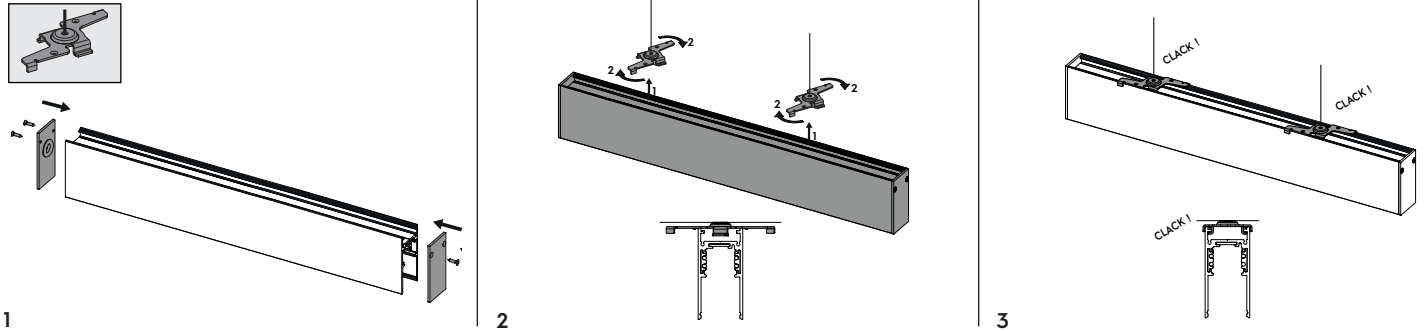


13

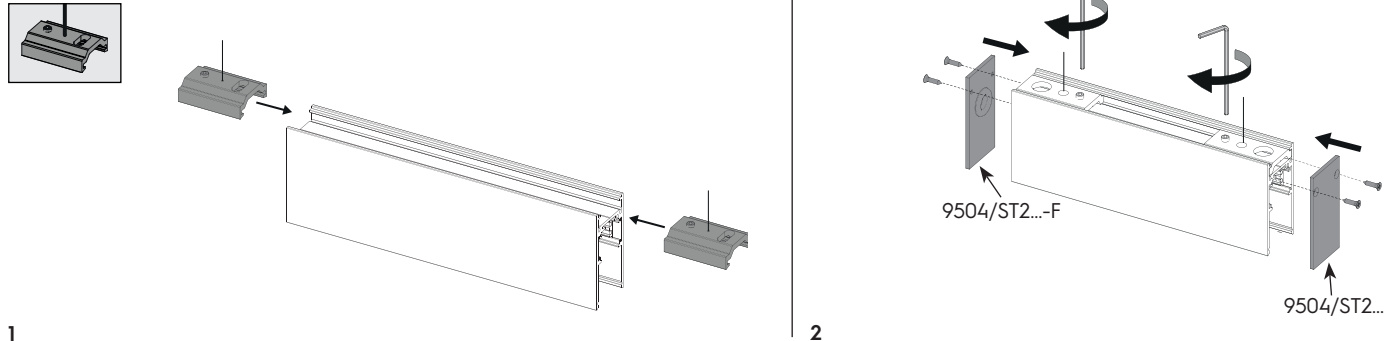
5 - SUSPENDED FIXING



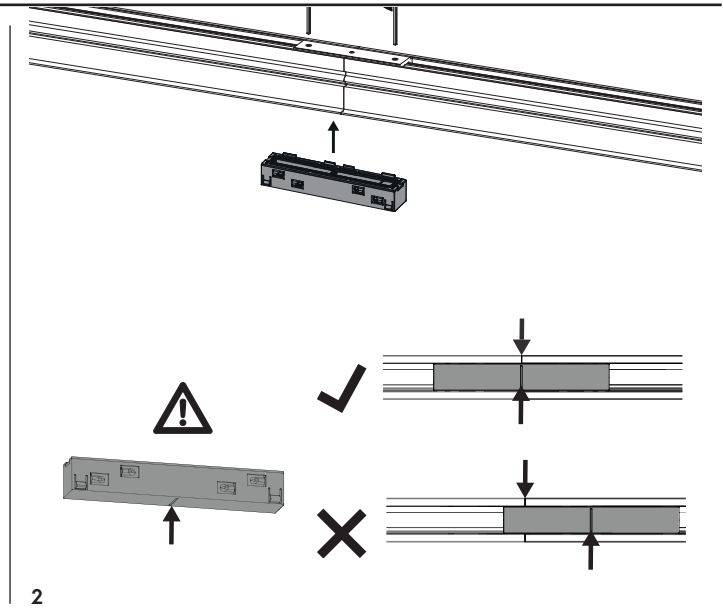
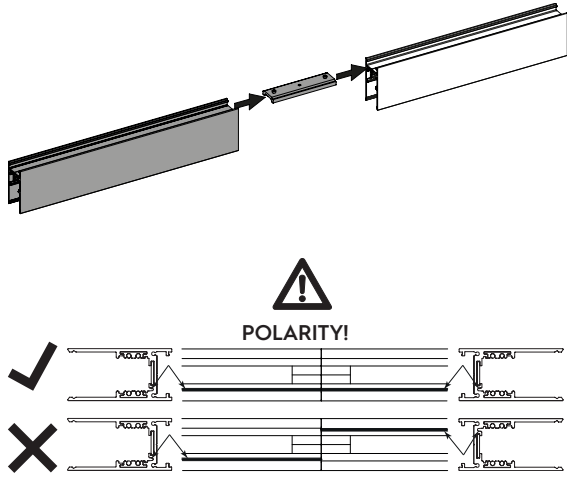
5a with clamps



5b with brackets



6 - IN ROW USE



7 - S-9511/...-ST2

