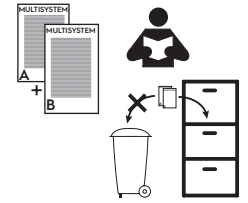
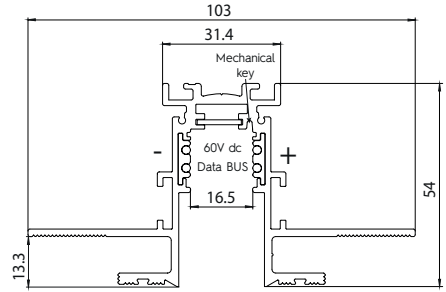
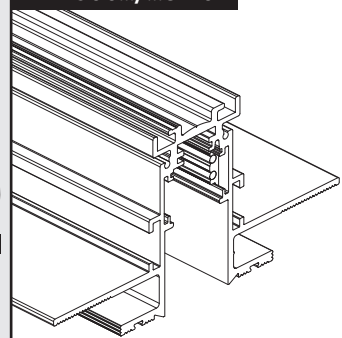
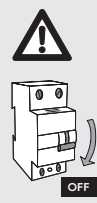


**ST10**

**MULTISYSTEM**

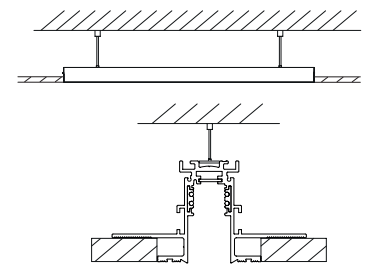


**1 - 9500.../...ST10**

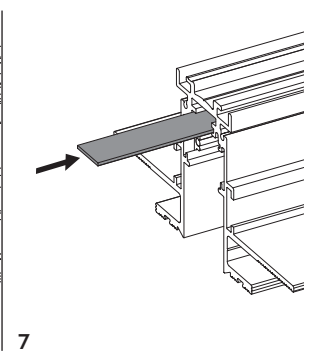
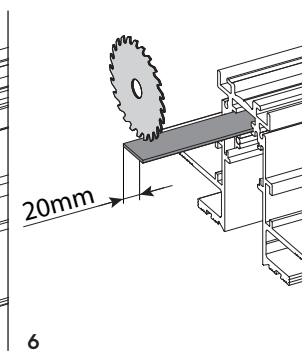
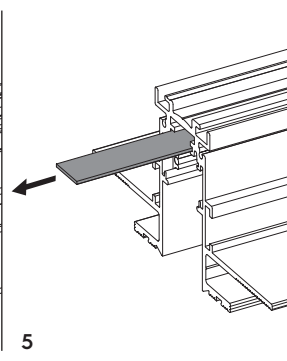
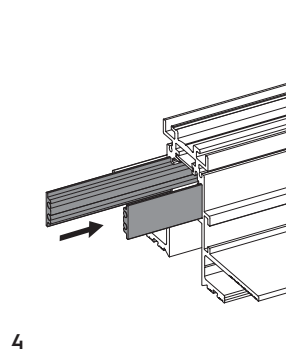
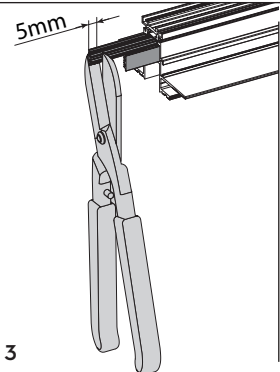
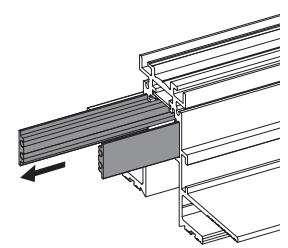
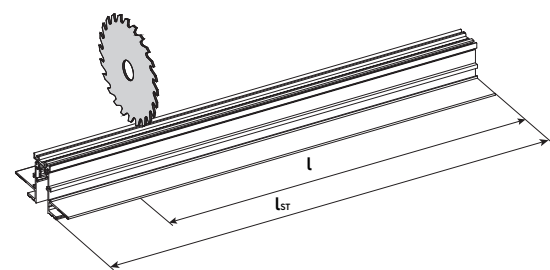
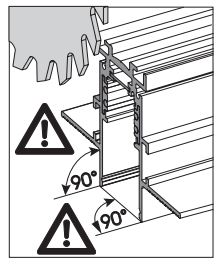
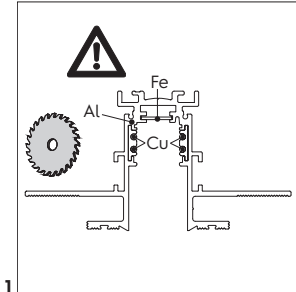


**2 - USE**

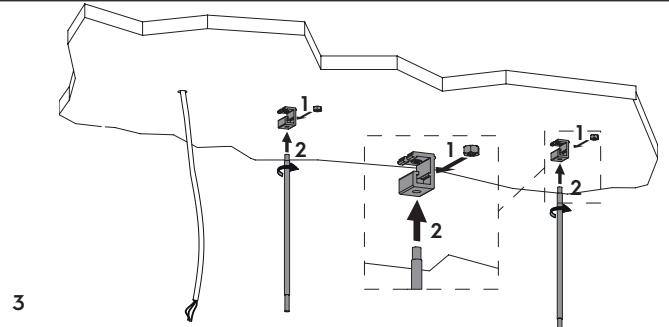
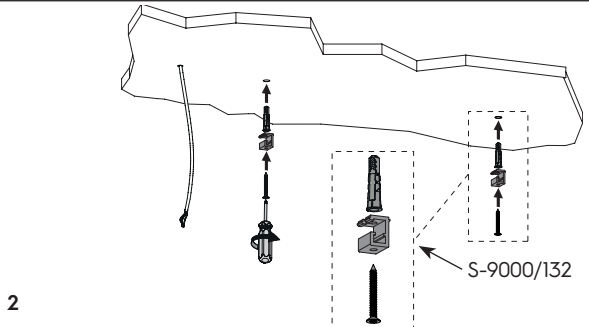
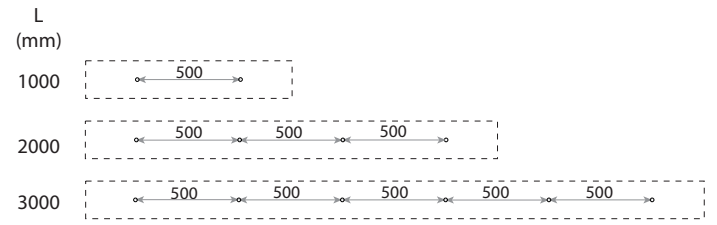
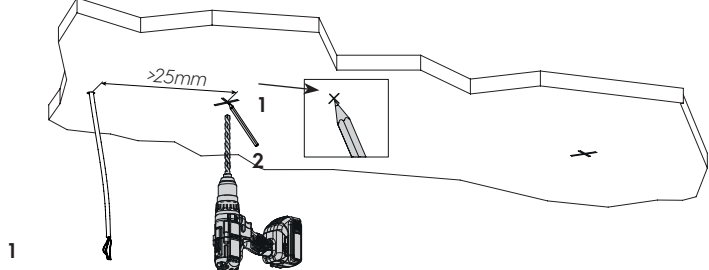
Trimless (ceiling - wall)



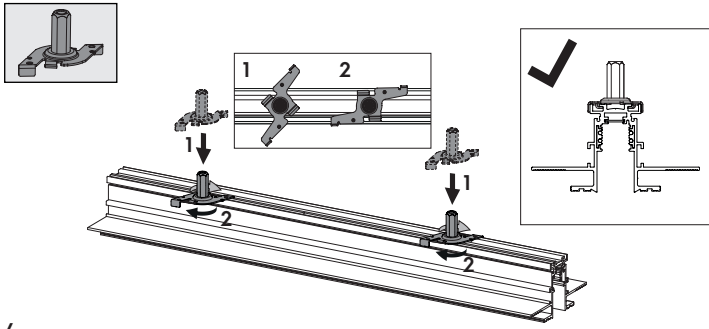
**3 - CUTTING**



**4 - TRIMLESS FIXING**

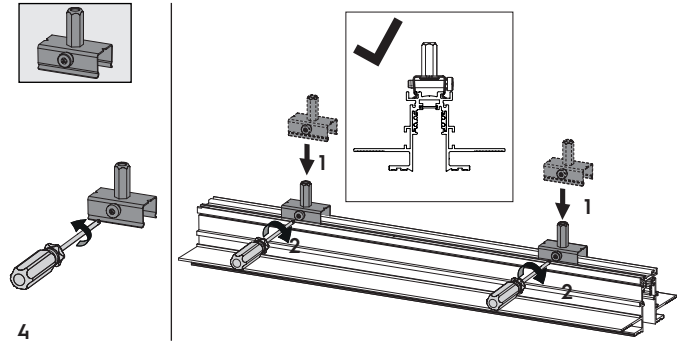


4a with S-9000/118...

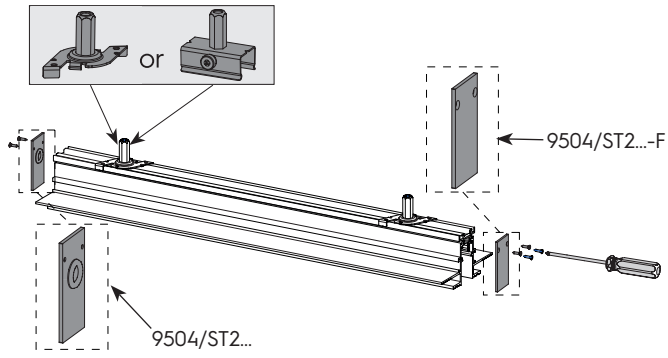


4

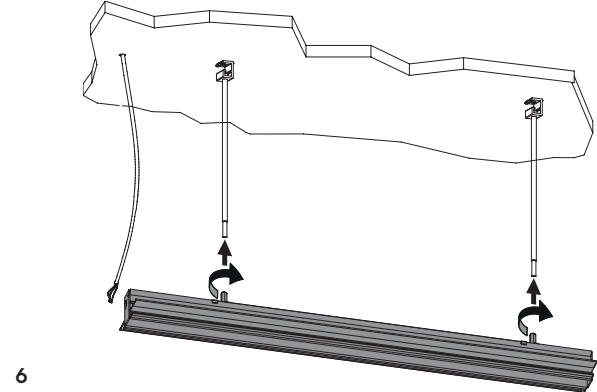
4b with S-9000-P2/117



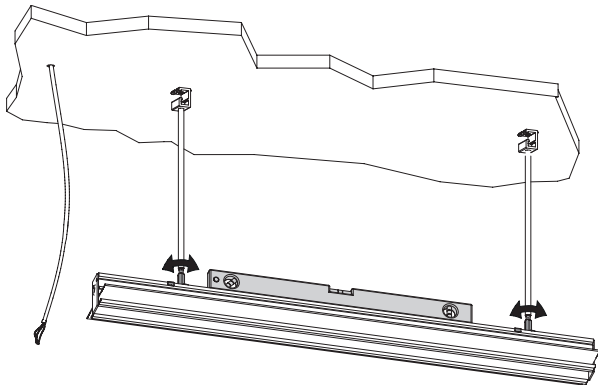
4



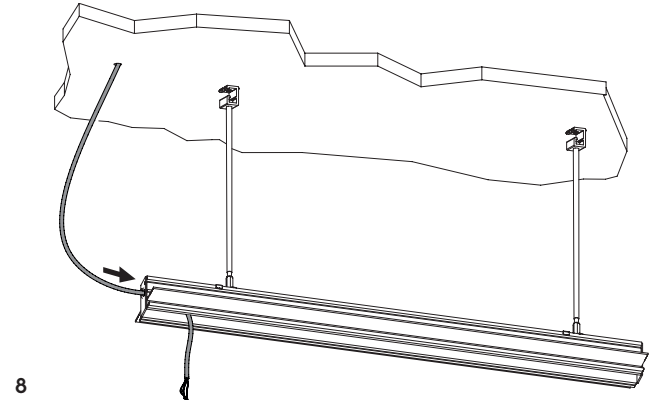
5



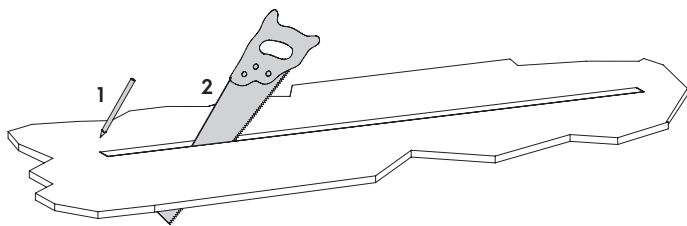
6



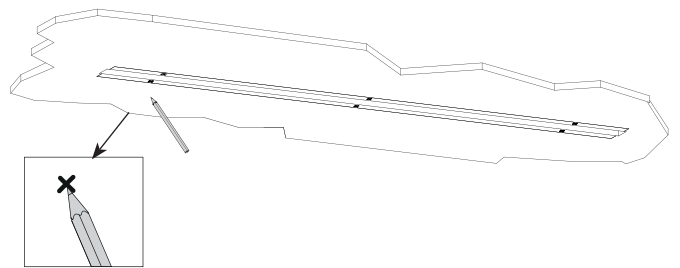
7



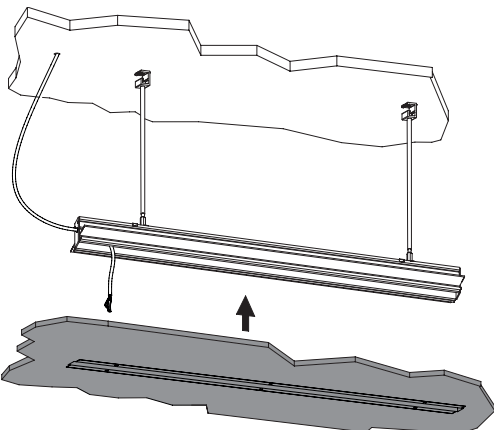
8



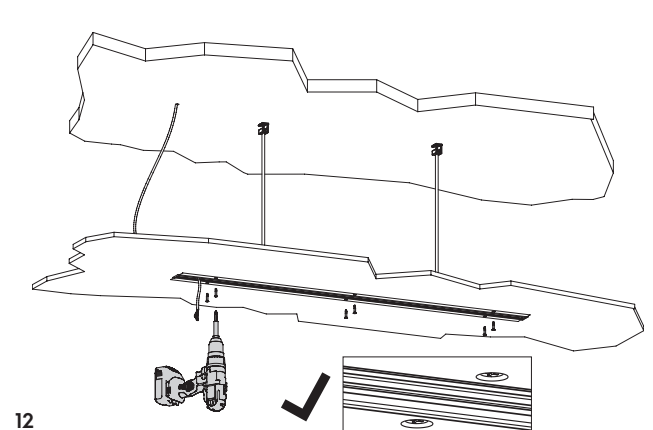
9



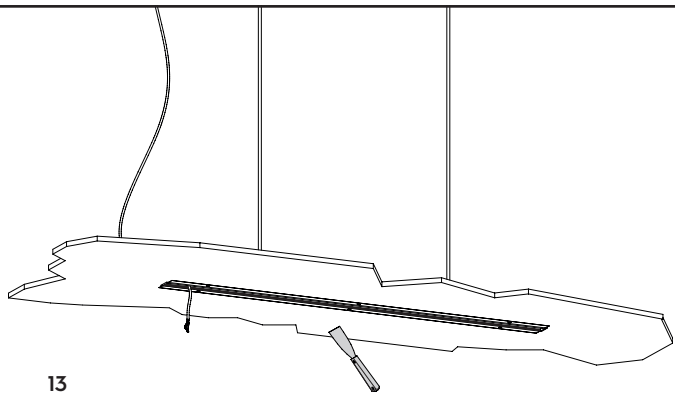
10



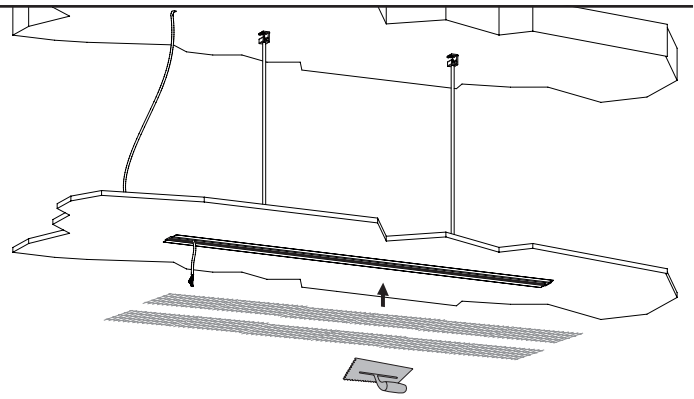
11



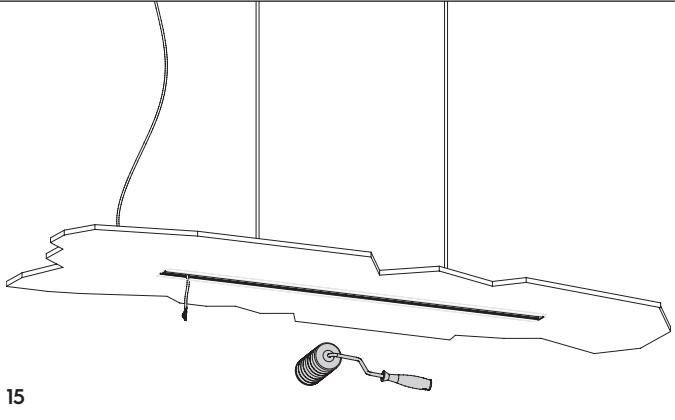
12



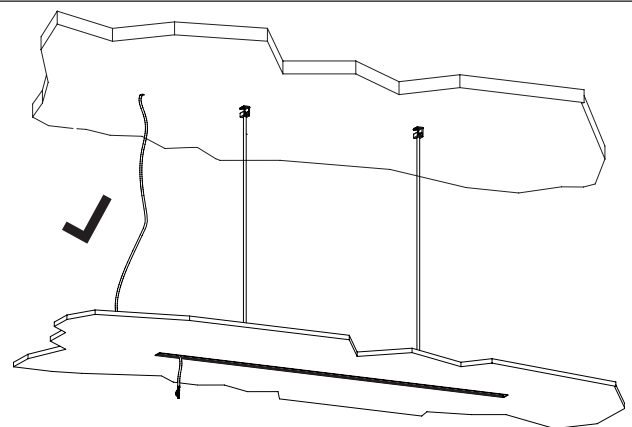
13



14

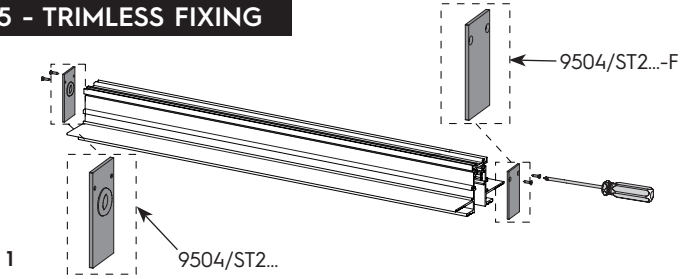


15

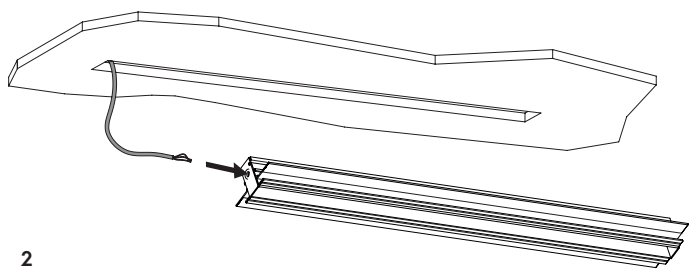


16

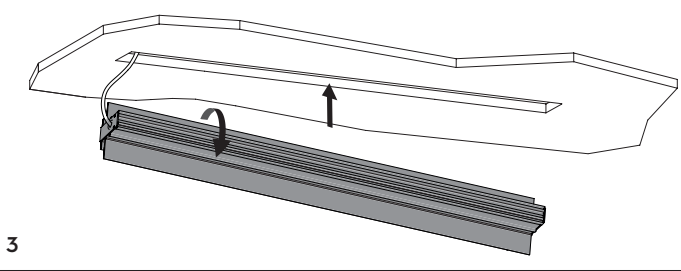
**5 - TRIMLESS FIXING**



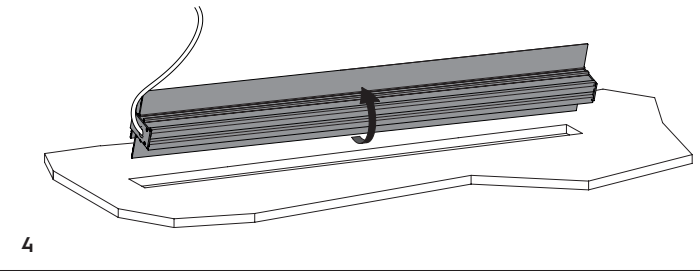
1



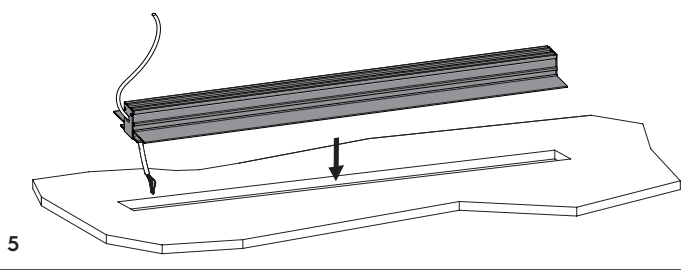
2



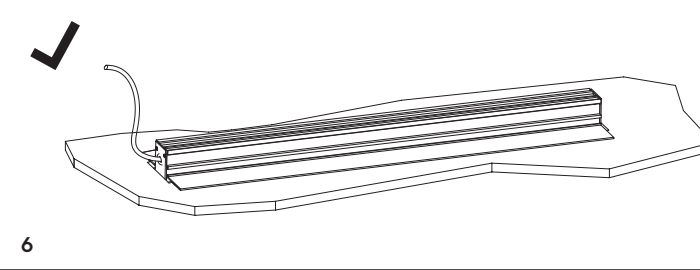
3



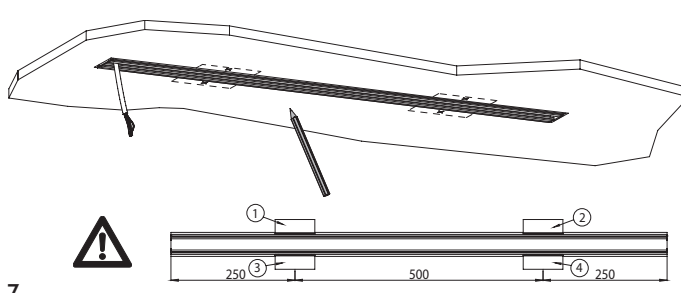
4



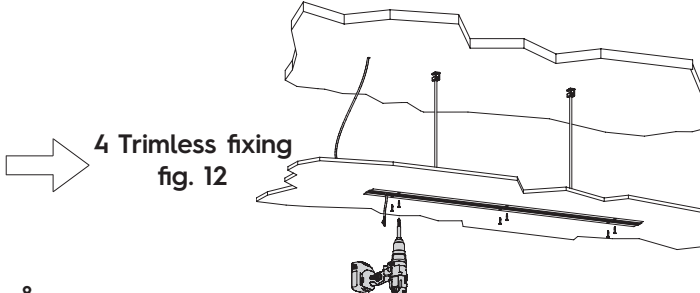
5



6

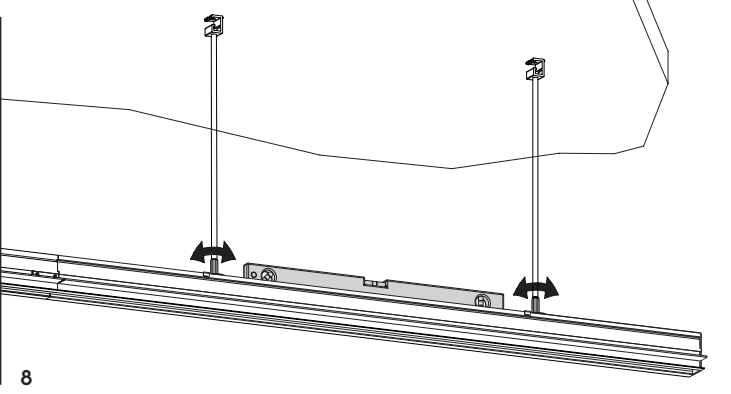
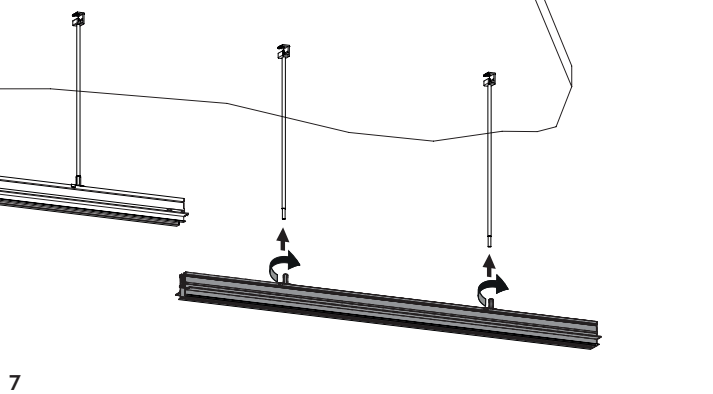
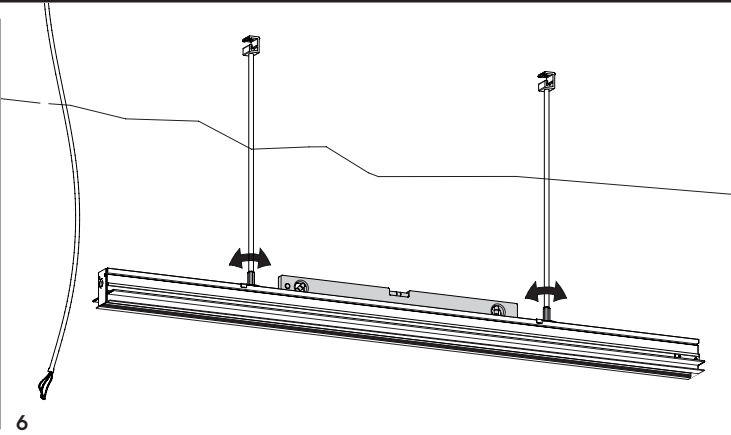
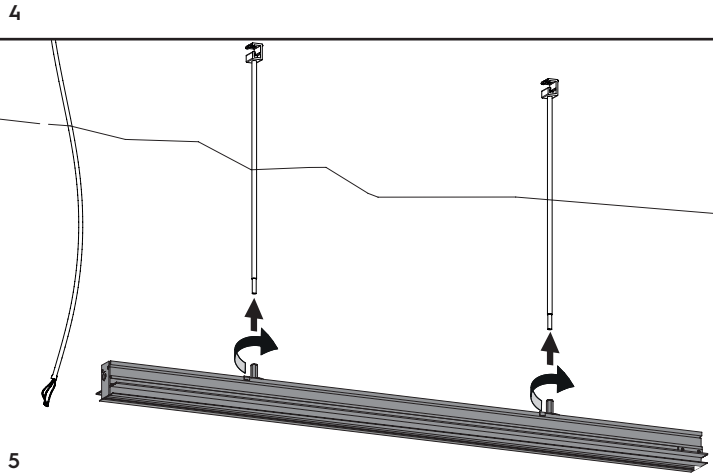
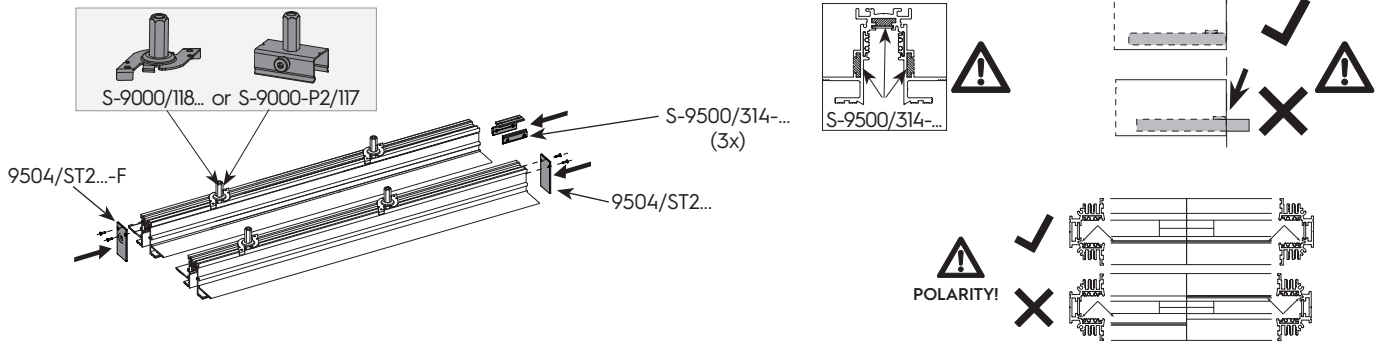
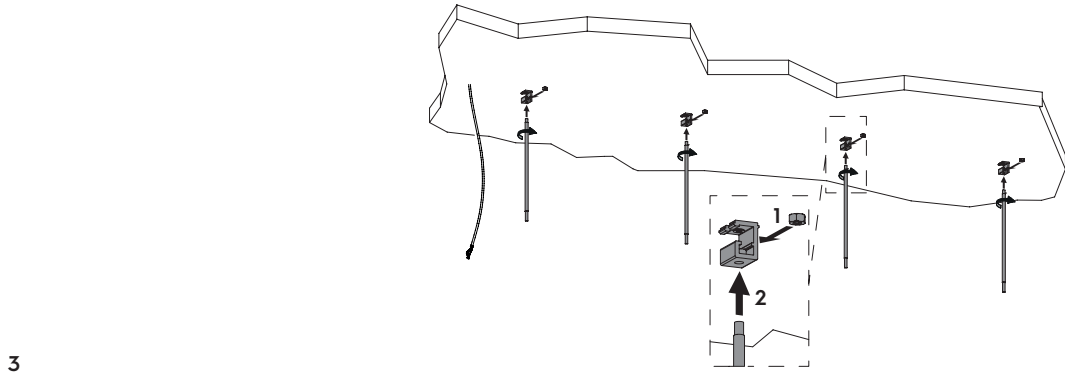
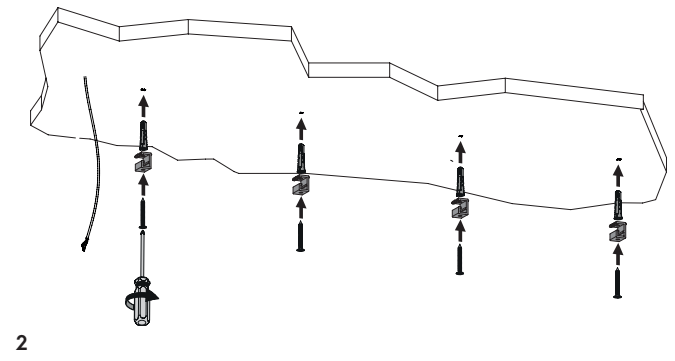
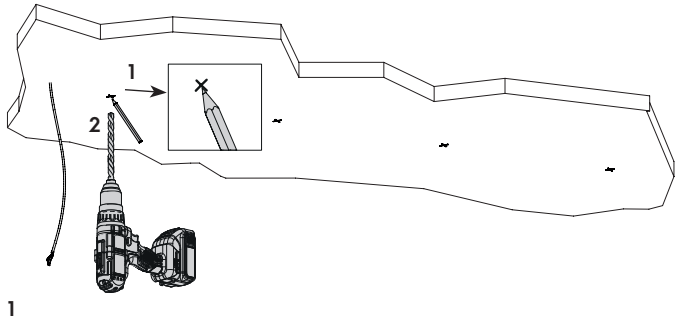


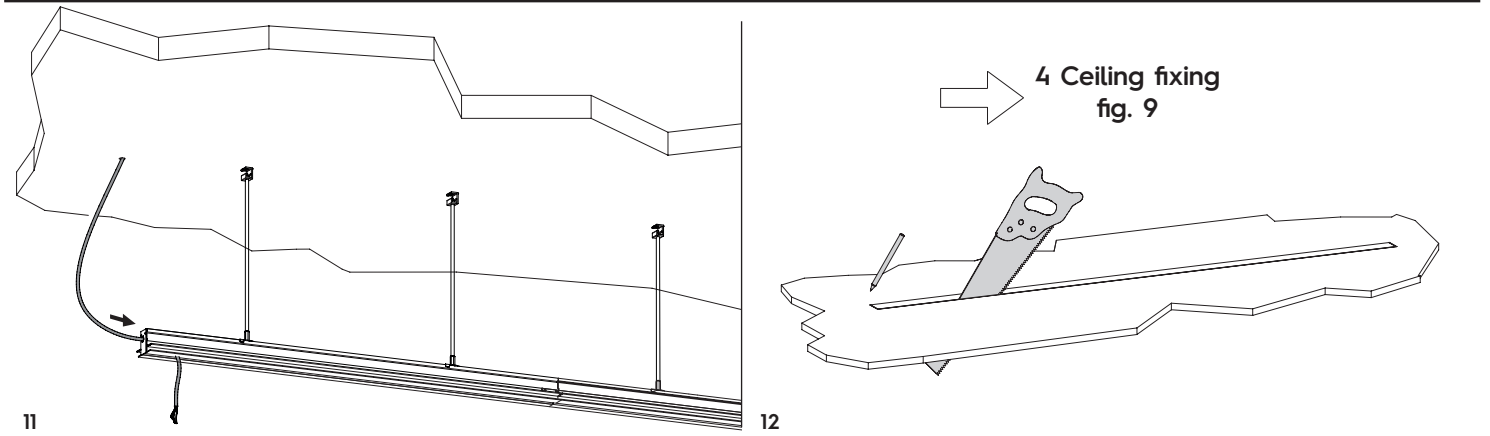
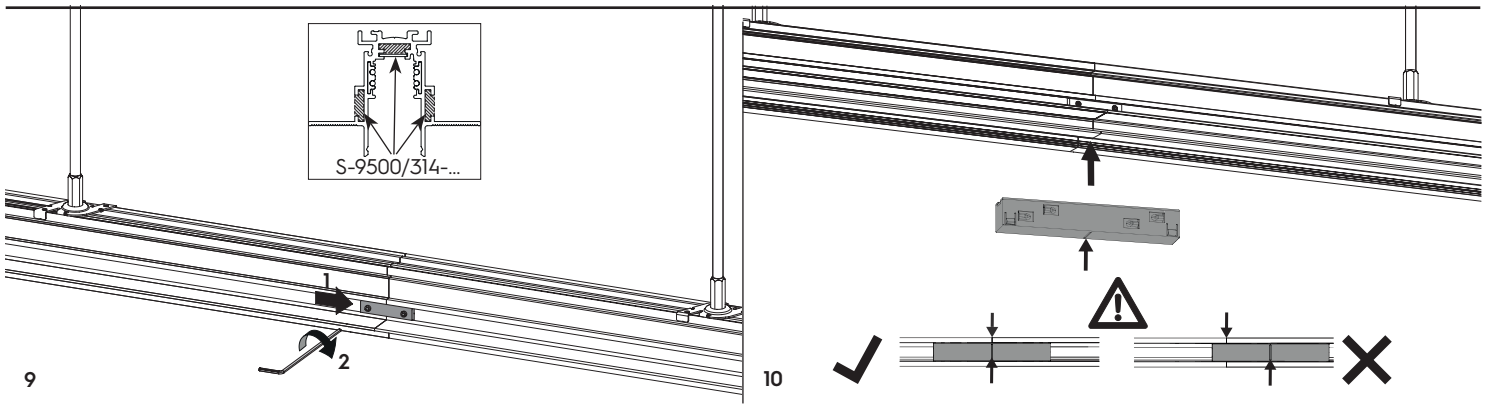
7



8

**6 - IN ROW USE -TRIMLESS FIXING**





**5 - IN ROW USE**

