

## S22 Highbay Reflexor®



### General Description

The S22 is a remote optic intended for use with POD style LED highbays and induction sources. Unlike traditional reflectors, the S22 is shallow so as to allow high beam angles. Its large flat top allows it to be easily adapted to most any fixture without the need for expensive collars. The lower flange mimics traditional reflectors allowing for a wide range of bottom lenses and standard clamp bands.

### Features and Benefits

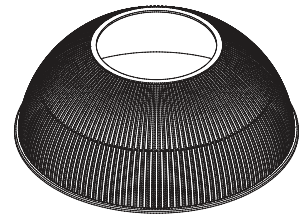
- Standard clear acrylic version is cost effective and provides a traditional yet low profile appearance
- Adaptable to any LED POD with an opening of up to 10 inches
- Interface® version yields high down light efficiency and a gentle glow for maximum brightness control
- Polycarbonate, DR acrylic and Frosted acrylic are custom options
- Accommodates standard 22" diameter lenses including the Model 622 Drop Lens, 822 Conical Drop Lens and flat lenses. Bottom lenses are primarily for low bay applications where brightness control is paramount. Bottom lenses also enhance uplight.

### Applications

High bay and low bay applications where a traditional fixture appearance, brightness control and/or wide distribution are desirable.

### Ordering Information

Please call 877-257-5841 for price and delivery.



**S22**  
Highbay Reflexor®

### Specifications

#### Dimensions

8.2" H x 22" diameter  
Approximate weight 4lbs

#### Materials

LED Grade Acrylic  
Lighting Grade Acrylic  
Interface Acrylic  
Polycarbonate  
Frost Acrylic  
Impact Modified Acrylic

#### Accessories/Options

Model 622 Drop Lens  
Model 822 CDL  
Model 822 Flat Lens  
822 Clamp Band  
822 Wire Guard



**A.L.P.**  
LIGHTING COMPONENTS, INC.  
WEB SITE: [WWW.ALPLIGHTING.COM](http://WWW.ALPLIGHTING.COM)

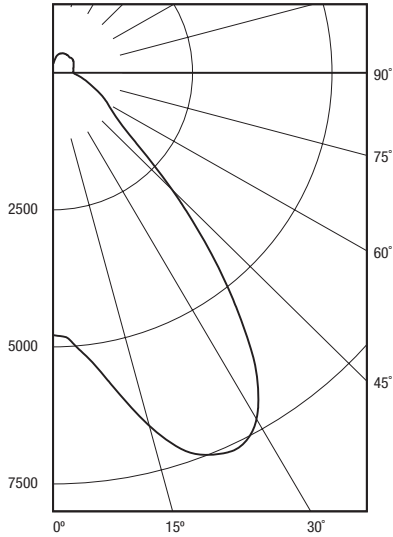


# S22

## Highbay Reflexor®

### Photometry

**Report Number:** 04875FP  
**Issue Date:** 01/28/14  
**Prepared for:** A.L.P. LexaLite Brand  
**Catalog Number:** S22  
**Luminaire:** S22 LED POD (KBO K1HB0N2303N62) with Interface Refractor and 622 Acrylic Drop Lens  
**Lamp:** 140 LEDs Arranged in Concentric Circular Patter on KBO-GKXTE-1014-Z-1.0U LED Board  
**Mounting:** Pendant  
**Driver:** Mean Well HLG-240H-36A  
**Watts:** 232.86 @ 120.03 volts  
**Lumens per watt:** 76.6



### Lumen Summary

Zone	Lumens	% Fixture
0-30	5887	33.0
0-40	9701	54.4
0-60	13285	74.5
0-90	15370	86.2
90-120	1203	6.7
90-130	1584	8.9
90-150	2159	12.1
90-180	2459	13.8
0-180	17837	100.0

### Luminance Data in Candela/SQ M at 0° plane

Angle	Average
45	10633
55	5032
65	3894
75	2962
85	2396

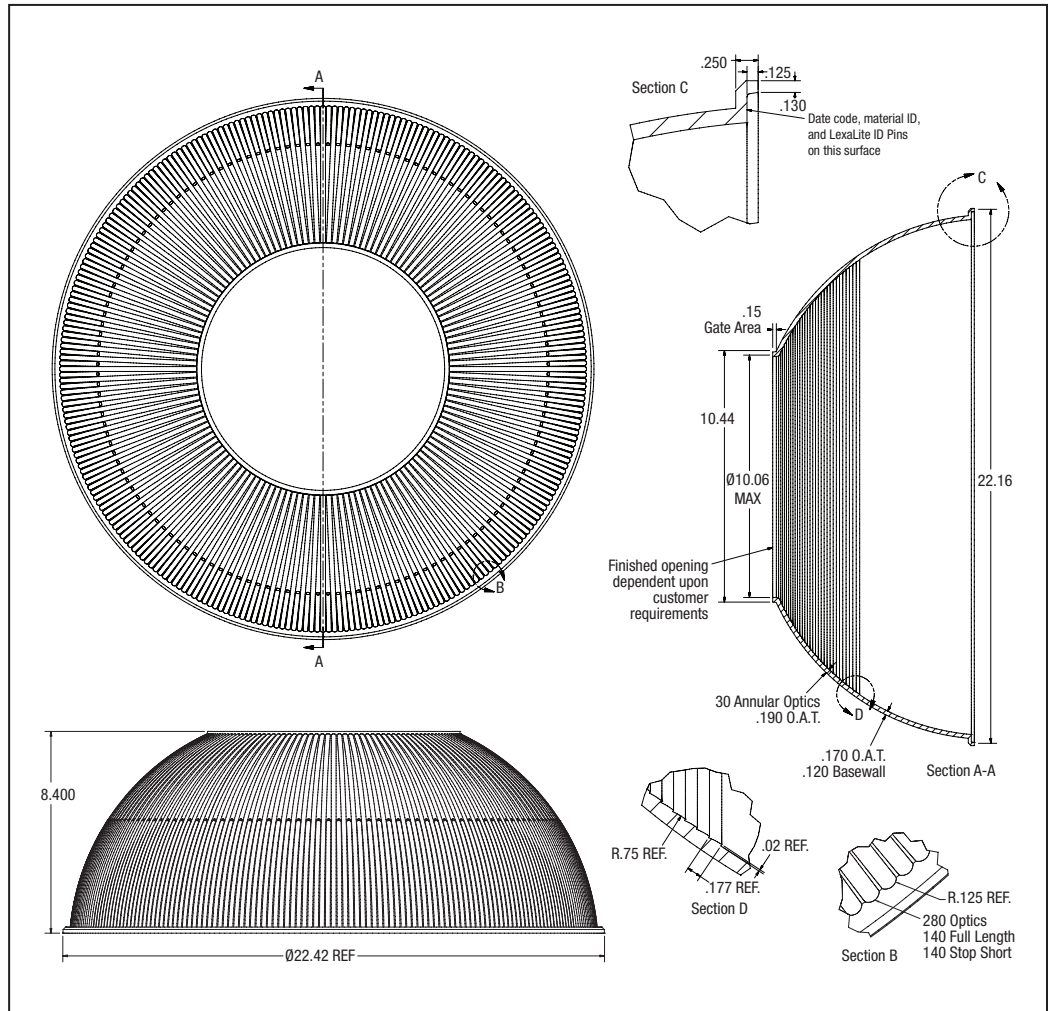
### Materials

See the LexaLite® brand price list for current part numbers and material offerings. Up-to-date and detailed material specifications can be found in the Products/Technical Resources section of our web site at [www.alplighting.com](http://www.alplighting.com).

### Notice

A.L.P. Lighting Components, Inc., assumes no responsibility for suitability of these materials in any luminaire or application. Please test for fit and function prior to ordering project quantities.

While A.L.P. utilizes IESNA testing procedures and believes our testing results to be accurate, A.L.P. provides photometry for reference only. Actual results will vary based on the actual light source(s) and power source(s) used, i.e. ballast, driver, generator, etc. and the combinations in which they are used, as well as operating temperatures, and other electrical and environmental variables. We urge that customers perform their own fixture qualifications prior to making performance-based claims. In no event will A.L.P. be liable for any loss or damage, including without limitation, indirect or consequential loss or damage in connection with the use of this information.



S22 072215

