

S16

Highbay Reflexor®



General Description

The S16 is a remote optic intended for use with POD style LED highbays and induction sources. Unlike traditional reflectors, the S16 is shallow so as to allow high beam angles. Its large flat top allows it to be easily adapted to most any fixture without the need for expensive collars. The lower flange mimics traditional reflectors allowing for a wide range of bottom lenses and standard clamp bands.

Features and Benefits

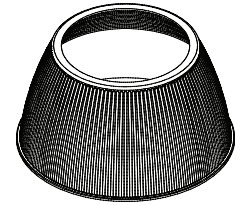
- Standard clear acrylic version is cost effective and provides a traditional yet low profile appearance
- Adaptable to any LED POD with an opening of up to 10 inches
- Interface® version yields high down light efficiency and a gentle glow for maximum brightness control
- Polycarbonate, DR acrylic and Frosted acrylic are custom options
- Accommodates standard 16" diameter lenses including the Model 350-361 Drop Lens, 816 Conical Drop Lens and flat lenses. Bottom lenses are primarily for low bay applications where brightness control is paramount. Bottom lenses also enhance uplight.

Applications

High bay and low bay applications where a traditional fixture appearance, brightness control and/or wide distribution are desirable.

Ordering Information

Please call 877-257-5841 for price and delivery.



S16

Highbay Reflexor®

Specifications

Dimensions

8.5" H x 16" diameter
Approximate weight 2-2.5lbs

Materials

LED Grade Acrylic
Lighting Grade Acrylic
Interface Acrylic
Polycarbonate
Frost Acrylic
Impact Modified Acrylic

Accessories/Options

816 Conical Drop Lens
816 Smooth Flat Lens
816 Clamp Band
816 Wire Guard
350-361 Tapered Drop Lens



A.L.P.
LIGHTING COMPONENTS, INC.
WEB SITE: WWW.ALPLIGHTING.COM

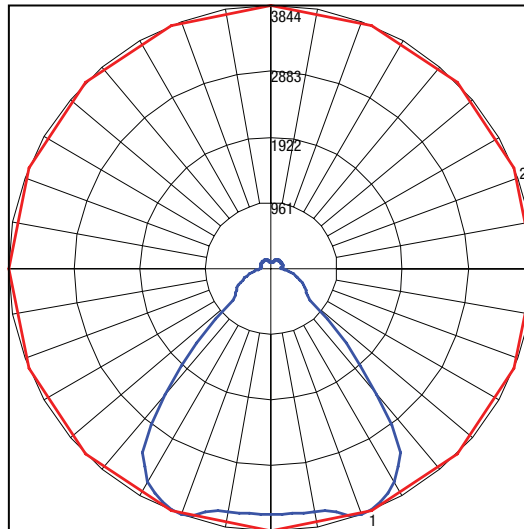
 **LEXALITE**

S16

Highbay Reflexor®

Photometry

Report Number: 05050
Issue Date: 07/30/14
Prepared for: A.L.P. LexaLite Brand
Catalog Number: S16i
Luminaire: S16 Interface with one LED pod and clear domed lens covering LEDs
Lamp: 48 LEDs in a circular pattern
Mounting: Pendant
Driver: (2) Inventronics EUC-075S070ST
Watts: 109.60 @ 119.92 volts
Lumens per watt: 80.89



Maximum Candela = 3843.89 Located At Horizontal Angle = 0, Vertical Angle = 20
 # 1 - Vertical Plane Through Horizontal Angles (0-180) (Through Max. Cd.)
 # 2 - Horizontal Cone Through Vertical Angle (20) (Through Max. Cd.)

Lumen Summary

Zone	Lumens	% Fixture
0-30	3138	35.40
0-40	5108	57.60
0-60	6855	77.30
0-90	7912	89.20
90-120	500	5.60
90-130	647	7.30
90-150	860	9.70
90-180	956	10.80
0-180	8869	100.0

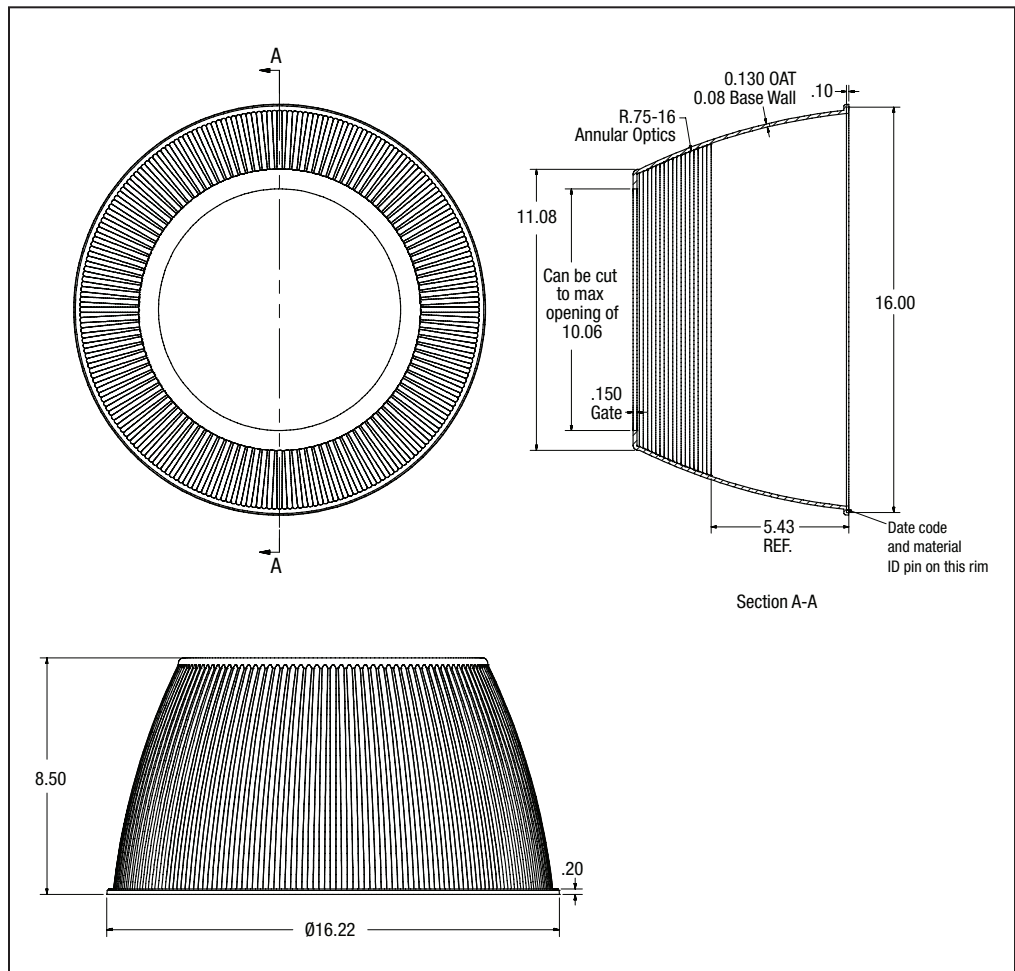
Materials

See the LexaLite® brand price list for current part numbers and material offerings. Up-to-date and detailed material specifications can be found in the Products/Technical Resources section of our web site at www.alplighting.com.

Notice

A.L.P. Lighting Components, Inc., assumes no responsibility for suitability of these materials in any luminaire or application. Please test for fit and function prior to ordering project quantities.

While A.L.P. utilizes IESNA testing procedures and believes our testing results to be accurate, A.L.P. provides photometry for reference only. Actual results will vary based on the actual light source(s) and power source(s) used, i.e. ballast, driver, generator, etc. and the combinations in which they are used, as well as operating temperatures, and other electrical and environmental variables. We urge that customers perform their own fixture qualifications prior to making performance-based claims. In no event will A.L.P. be liable for any loss or damage, including without limitation, indirect or consequential loss or damage in connection with the use of this information.



S16 072215