

# STEAB



## Paguro

Lighting Australia is pleased to introduce the latest innovation in IP68 junction boxes from STEAB, Italy. The new Paguro series is a compact range of IP68 protected junction box with an innovative insulation system using silicone gel.



- Easy to use
- Compact design
- Extremely reliable during connection change
- High insulation capacity

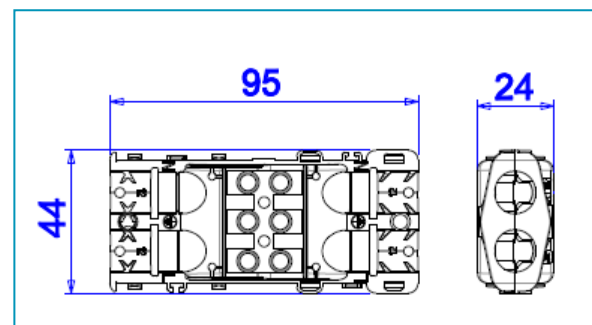
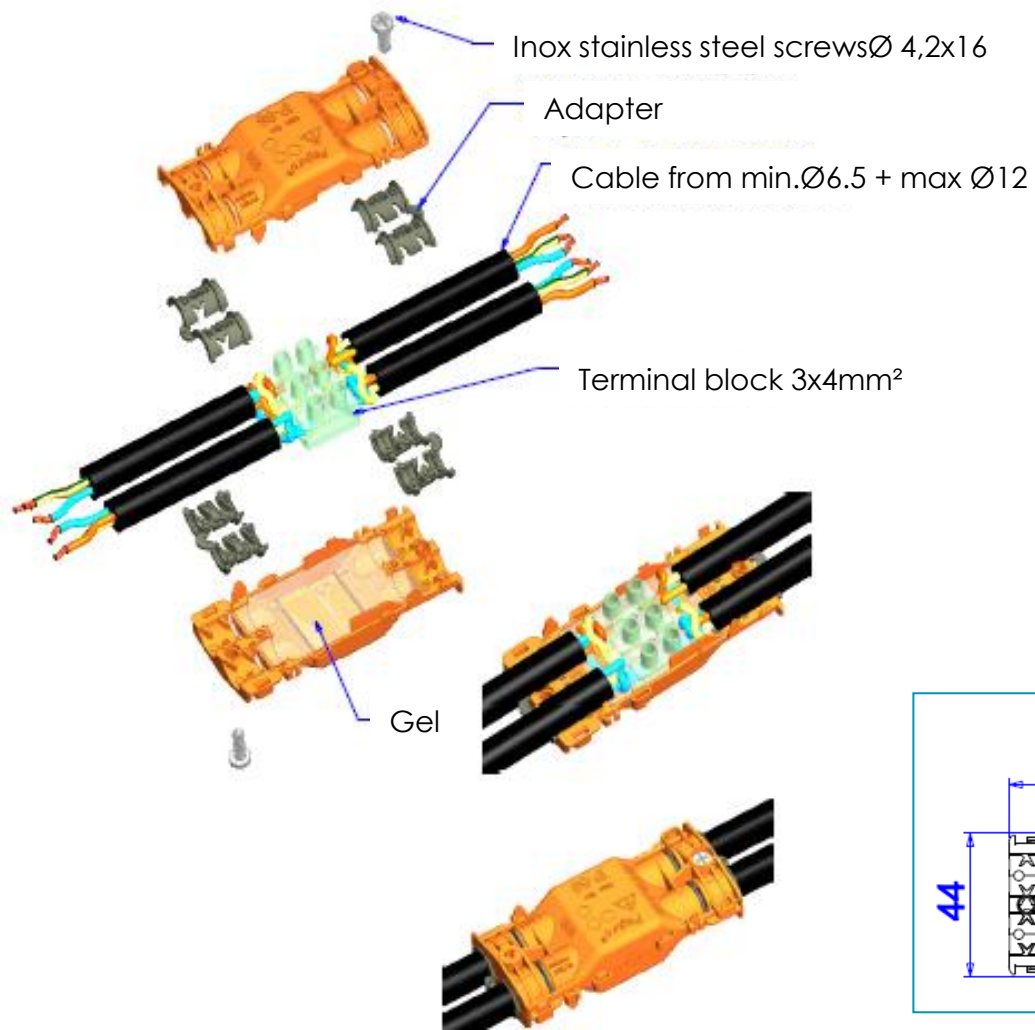
# STEAB



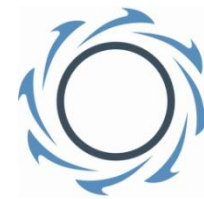
# LIGHTING AUSTRALIA

## Paguro

5625/1121



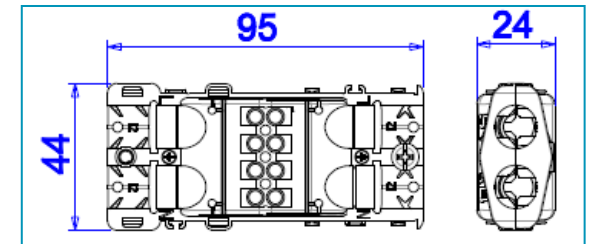
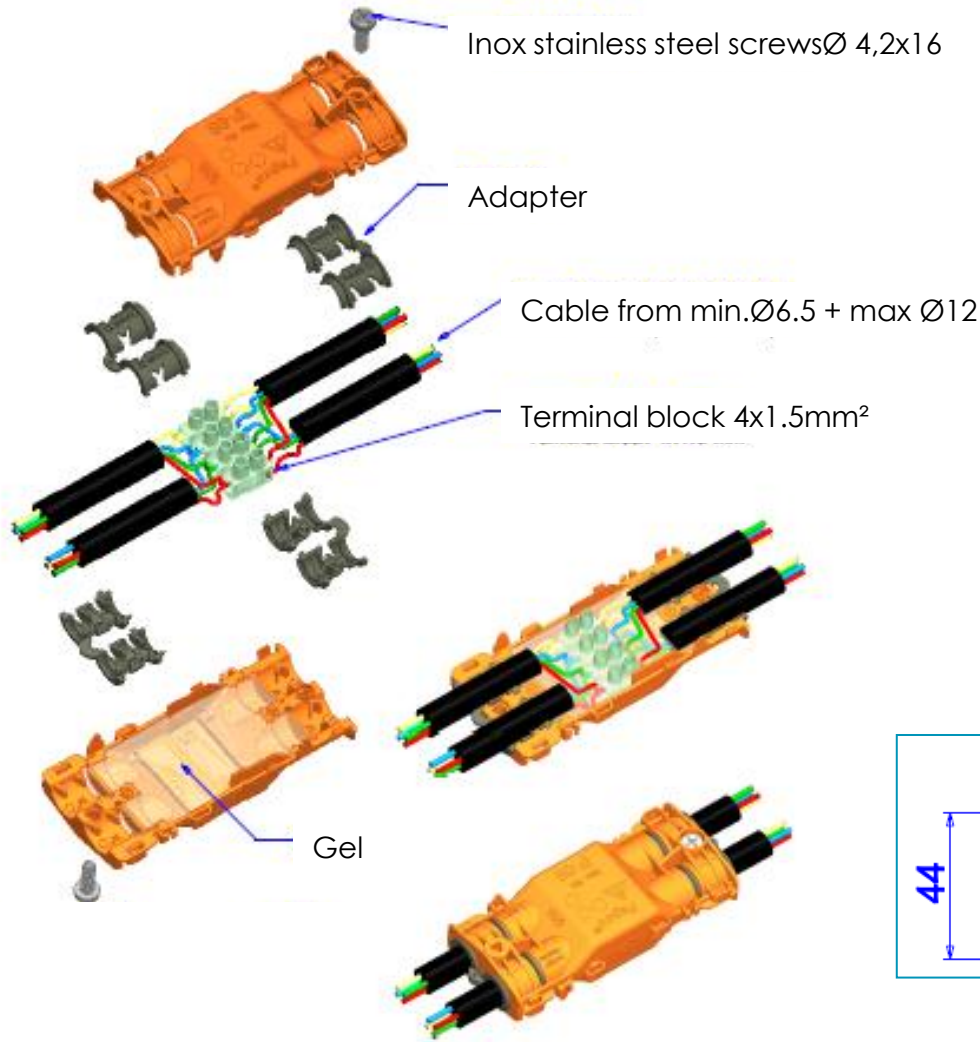
# STEAB



# LIGHTING AUSTRALIA

## Paguro

5625/415



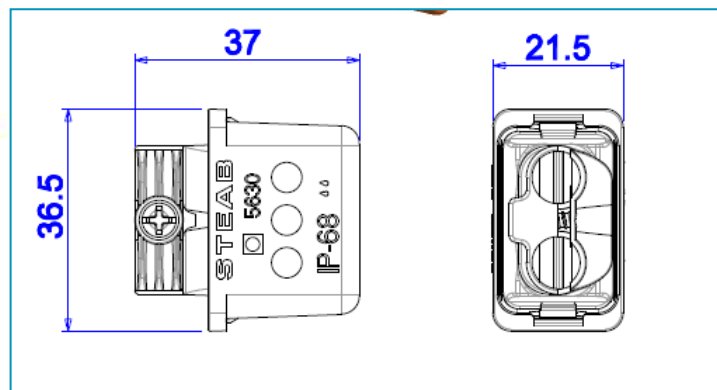
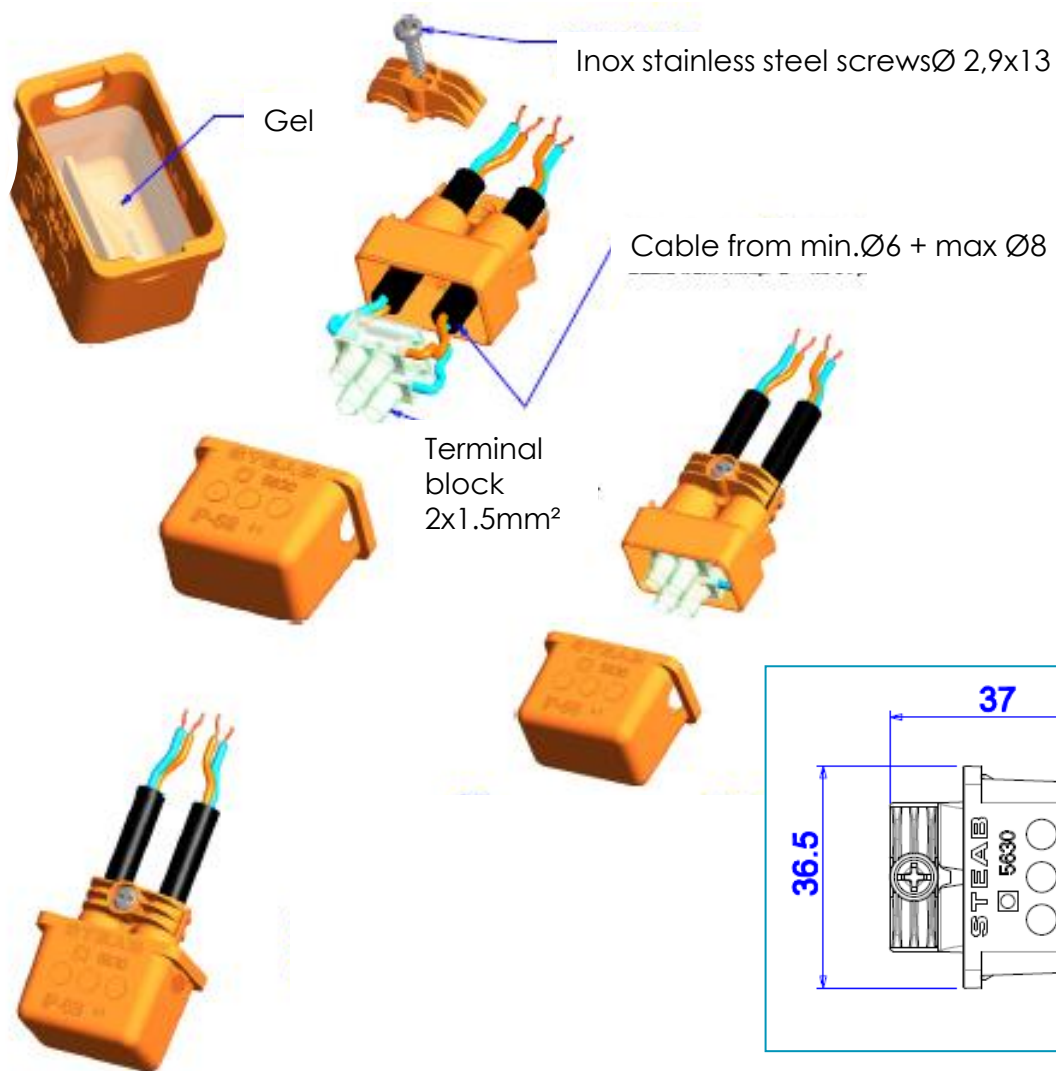
# STEAB



# LIGHTING AUSTRALIA

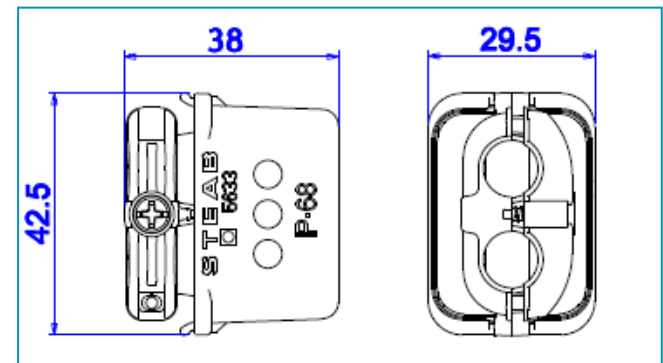
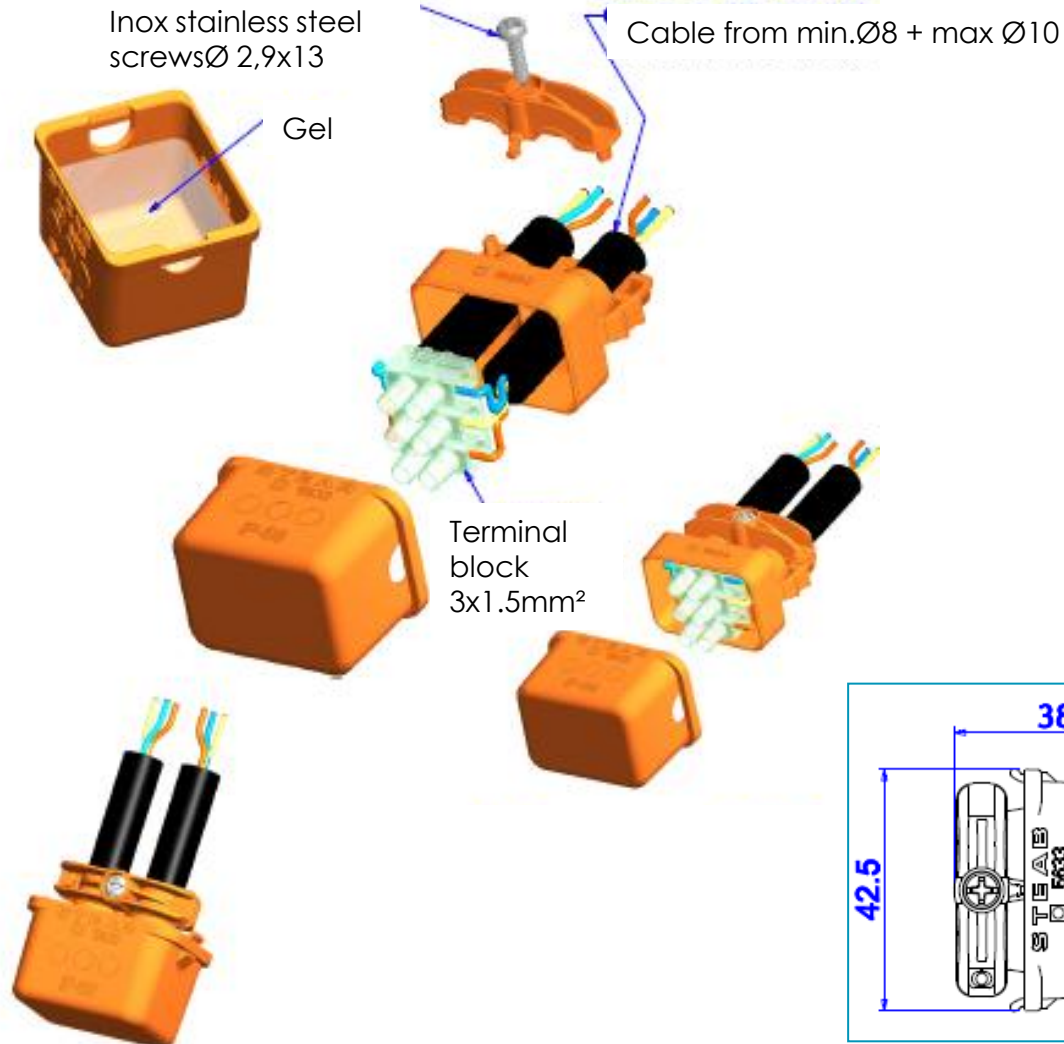
## Paguro

### 5630



## Paguro

5633



## Paguro

### Easy Connection

- A common wire terminal block provides the wire connection
- Wires are locked by tightening the box case shells with stainless steel screws (terminal block and screws supplied with box)
- #8 snap-lock devices, which can be opened with a screwdriver, close the box. In case of changes in the electric wiring, the box can be opened and closed again, and its insulation features will remain unchanged

### Versatility

- Connection from a feed through line to the user appliance
- Four accesses protected by 'pre-cracked' membranes for 6,5 ÷ 12,0mm external diam. wires

### Safety

- Excellent sealing and water tightness
- Good resistance to chemical agents
- Excellent adhesion to any support or material used for the casing
- Extreme deformability and adaptability
- High elastic memory
- Wide range of operating temperatures: from -50 to +150°C
- High insulating or dielectric strength: min 1,0 kV
- Self repair in case of accidental removal and tear
- Long life (more than 10 years) if operated according to the above temperature range and in absence of pollutants or acids

### Technical Features

- IP68 insulation class at 1,3m depth
- Connection protection. Prevents humidity into the appliance by capillarity
- In compliance with the main safety requirements of standard EN 50393
- Made of PA66-RV

# STEAB

 **LIGHTING  
AUSTRALIA**

## Paguro

Paguro products are conveniently packaged in individual plastic bags containing either the cases 2 halves or base with Insulating Gel 'ready to use', terminal blocks, metal screws and an easy to follow assembly instruction manual.

