

# PRISMATIC REFLEXOR®

Model 822 interface® Reflexor®



Model 822 Interface

## Description

The 22" diameter interface Reflexor is a technology-based, injection molded component manufactured from microcellular foamed acrylic. For optimal product life and performance, this product is produced from UV stabilized, lighting grade acrylic. The interface Reflexor provides specifically tailored uplight and downlight levels, and achieves 89.5% overall luminaire efficiency. The uplight component of the Reflexor is minimal at 17% or lower, using just the right amount of uplight to eliminate the cave effect. The interface Reflexor is also available in 12" and 16" diameters.

## Application

The interface Reflexor features a highly reflective surface, which produces a soft, glowing appearance and blends with light colored ceilings. It is suitable for a range of lighting applications from industrial to retail.

## Lamp Data

The interface Reflexor is capable of being used with up to 400 watt HID lamps. Please reference LexaLite's Reflexor Standard HID Acrylic Application Recommendations for ambient temperature guidelines. Luminaire

design, reflector configuration, lamp position, and ambient temperature will affect the inside surface temperature. Thermal tests should be conducted on each luminaire design to confirm appropriate lamp size for the application.

## Ordering Information

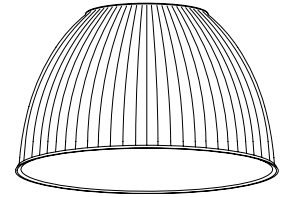
Please call 800-228-5275 or 231-547-6584 for price and delivery. Typical lead time is four to six weeks.

## Service Life

The service life of Interface Reflexors is virtually unlimited when used within the recommended temperature limit. Interface versions are covered by our 5 year limited warranty.

## Notice

LexaLite assumes no responsibility for suitability of luminaires and applications. The use of Reflexors at excessive temperatures with high UV output light sources will cause degradation of the material.



## Model 822i

13.40" high  
22" diameter

PRISMATIC REFLEXOR  
OPEN OR CLOSED LUMINAIRE  
COMMERCIAL, INSTITUTIONAL,  
DECORATIVE APPLICATIONS

Efficiency: 89.5%  
Uplight: 17.3%  
CIE type: Semi-Direct  
Luminaire spacing Criteria: 1.7

Material: Interface 105 Acrylic

U.S. Patent No. 6,550,938

Additional 800 Series Products:

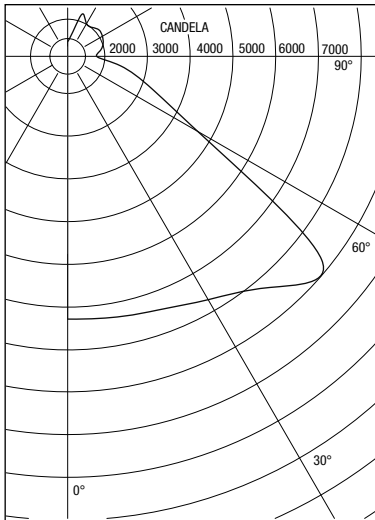
9" Model 809  
11" Model 811  
12" Model 812  
12" Model 812 Designer Series  
12" Model 812 interface  
16" Model 816  
16" Model 816 interface  
22" Model 822  
22" Model 822TL  
25" Model 825



**A.L.P.**  
LIGHTING COMPONENTS, INC.  
WEB SITE: WWW.ALPLIGHTING.COM

**LEXALITE**

# Model 822i



Report Number: ITL51087  
 Total Luminaire Efficiency: 89.5%  
 CIE Type: Semi-Direct  
 Luminaire Spacing Criteria: 1.7

## Accessories

- Conical Drop Lens (22CDL)**  
22" diameter acrylic or polycarbonate lens.
  - Prismatic Drop Lens (Model 622)**  
22" diameter acrylic or polycarbonate lens.
  - Smooth Flat Lens (822SFL)**  
22" diameter acrylic or polycarbonate lens.
- The above will be found in UL's Recognized Component Directory under file number E134182.

**Smooth Collar**  
For a variety of mounting methods.

**Projector Reflector Collar**  
Aluminum inner collar for increased downlight.

**Stainless Steel Clamp Band**  
For attachment of bottom closure.

**Wire Guard**  
Provides lamp protection, attaches to Model 822 with clamp band.

## Material

Interface 105 acrylic: Molded in UL recognized acrylic molding resin found in the UL file E226460.

Please visit our web site for the most current material specifications.

When using an acrylic Model 822i, the surface temperature of the Reflexor should not exceed 80°C.

## Photometrics

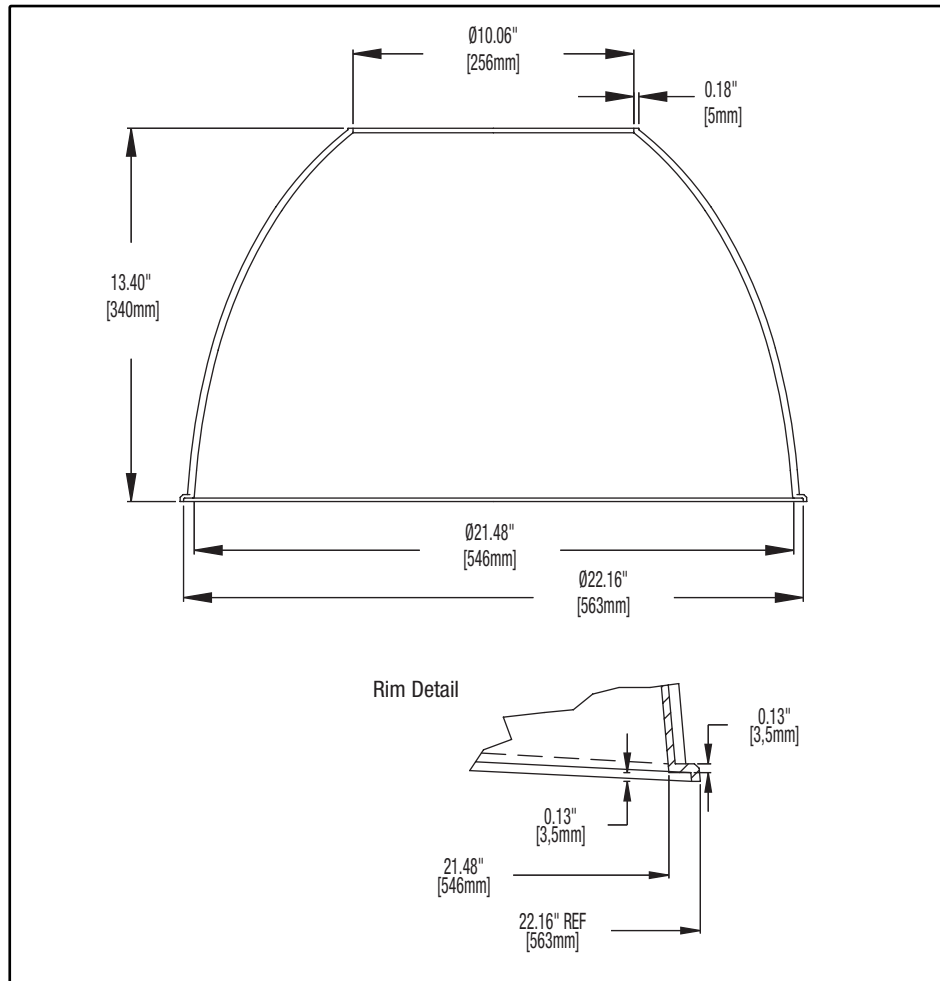
The unique design of the 822 interface Reflexor permits a broad range of lighting distributions to be achieved efficiently. A 400 watt ED-37 clear metal halide lamp at 7.25 inch light center position gives spacing criteria of 1.7, overall efficiency of 89.5% and 17.3% uplight of the luminaire (ITL51087).

Lumen Summary			
Zone	Lumens	%Lamp	%Fixture
0-30	5426	15.1	16.8
0-40	9777	27.2	30.3
0-60	21264	59.1	66.0
0-90	26651	74.0	82.7
90-120	2632	7.3	8.2
90-130	3504	9.7	10.9
90-150	4794	13.3	14.9
90-180	5578	15.5	17.3
0-180	32229	89.5	100.0

## Luminance Data in Candela/SQ M at 0° plane

Angle	Average
45°	33715
55°	29038
65°	12948
75°	8426
85°	5280

Tested in accordance with IES standards. Lamp is a 400 watt ED-37 clear metal halide. Lumen rating = 36,000. Lamp center located at 7.25 inches above lower rim.



**This drawing is for reference only. Actual part dimensions will vary. Customer is urged to review actual samples to confirm fit and function. All specifications and dimensions are subject to change without notice.**