

CONICAL DROP LENS

Model 22CDL



Model 22CDL

Description

The Model 22CDL is a 22" Conical Drop Lens designed to mount directly to the 822 Reflexor or to other reflectors of the same size with a roll form clamp band.

Application

The Model 22CDL is a 22" Conical Drop Lens to be used with up to 400W vertically oriented HID lamps for both medium and low-bay lighting applications. The lens both lifts the main beam and breaks up the lamp image. The Conical Drop Lens (22CDL) will be found in UL's Recognized Component Directory under file number E134182.

Lamp Data

The 22CDL is used primarily with HID lamps. Luminaire design, reflector configuration, lamp position and ambient temperature will affect the inside surface temperature. Thermal tests should be conducted on each luminaire design to confirm appropriate lamp size for the application.

Ordering Information

Please call 800-228-5275 or 231-547-6584 for price and delivery. Typical lead time is four to six weeks.

Service Life

The service life of acrylic lenses is virtually unlimited when used within the recommended temperature limit.

Notice

LexaLite assumes no responsibility for suitability of luminaires and applications. The use of lenses at excessive temperatures with high UV output light sources will cause degradation of the material.



Model 22CDL

22" diameter lens

CONICAL LENS
COMMERCIAL, INDUSTRIAL,
DECORATIVE APPLICATIONS

Efficiency: 92.9%

Uplight: 27.5%

CIE type: Semi-Direct

Luminaire spacing Criteria: 2.0

Materials: Acrylic,
acrylic Moon Glow white,
polycarbonate
and custom colors

Additional 800 Series Products:

9" Model 809

11" Model 811

12" Model 812

12" Model 812 interface

16" Model 816

16" Model 816 interface

22" Model 822

22" Model 822 interface

22" Model 822TL

25" Model 825



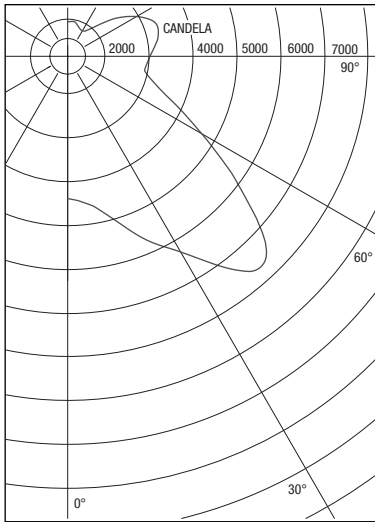
A.L.P.

LIGHTING COMPONENTS, INC.
WEB SITE: WWW.ALPLIGHTING.COM



LEXALITE

Model 22CDL Conical Drop Lens



Report Number: ITL39883
 Total Luminaire Efficiency: 92.9%
 CIE Type: Semi-Direct
 Luminaire Spacing Criterion: 2.0

Accessory

Stainless steel clamp band

For attachment of bottom closure.

Materials

Clear acrylic: Molded in Underwriters Laboratory (UL) recognized Altuglas International Plexiglas® V(825)-UVA-5A, Lucite International Inc. Perspex® CP-75UVA, CYRO Acrylite® S-10-343, or Plaskolite Optix® CA-75UVA.

Clear polycarbonate: Molded in UL recognized Bayer lighting grade polycarbonates including Makrolon® LTG 3123, Makrolon® LTG 2623, or GE Lexan® grade 243.

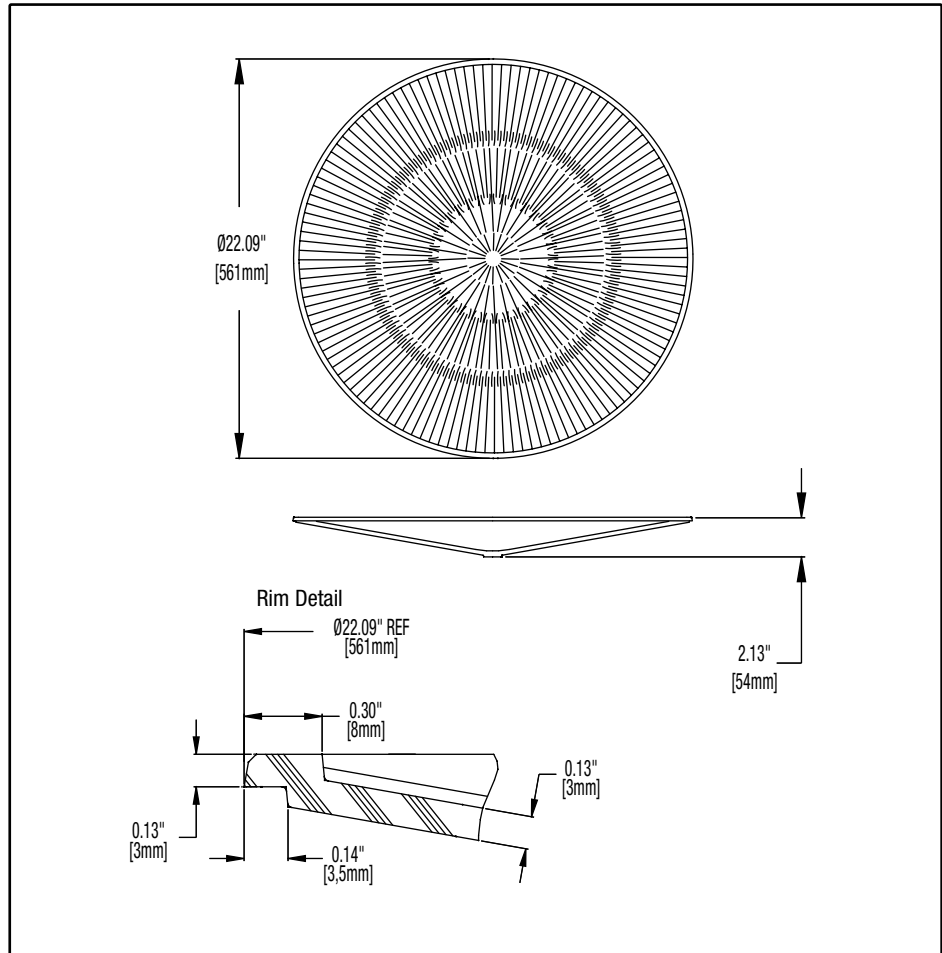
Other: Clear impact acrylic, UL recognized acrylic Moon Glow white and custom colors.

Please visit our web site for the most current material specifications.

When using an acrylic Model 22CDL, the surface temperature of the lens should not exceed 80°C. When using a polycarbonate Model 22CDL, the surface temperature of the lens should not exceed 90°C.

Photometrics:

The acrylic version of the 22CDL Conical Drop Lens yields an overall efficiency of 92.9% when assembled with the Model 822 and a 400W phosphor coated metal halide lamp. Uplight of luminaire is increased to 27.5% versus 17.7% for the open Model 822. The main beam is located at 45° vertical with an intensity of approximately 6555 candela (ITL39883). A distribution range from 1.7-2.0 allows it to be used in a variety of mounting heights without a decrease in performance.



This drawing is for reference only. Actual part dimensions will vary. Customer is urged to review actual samples to confirm fit and function. All specifications and dimensions are subject to change without notice.

