

PRISMATIC REFLEXOR®

Model 816 interface Reflexor®



Model 816 Interface

Description

The 16" diameter interface Reflexor is a technology-based, injection molded component manufactured from microcellular foamed acrylic. For optimal product life and performance, this product is produced from UV stabilized, lighting grade acrylic. The interface Reflexor provides specifically tailored uplight and downlight levels, and achieves 83.8% overall luminaire efficiency. The uplight component of the Reflexor is 22.8%, using just the right amount of uplight to eliminate the cave effect. Interface is also available in 12" and 22" diameters.

Application

The interface Reflexor features a highly reflective surface, which produces a soft, glowing appearance and blends with light colored ceilings. It is suitable for a range of lighting applications from industrial to retail.

Lamp Data

The interface Reflexor is capable of being used with up to 250 watt HID lamps. As an enclosed luminaire, it is capable of being used with 200 watt HID lamps. Please reference LexaLite's Reflexor Standard HID Acrylic Application Recommendations for ambient temperature guidelines. Luminaire design, reflector configuration, lamp position, and ambient

temperature will affect the inside surface temperature. Thermal tests should be conducted on each luminaire design to confirm appropriate lamp size for the application.

Ordering Information

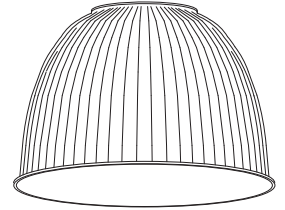
Please call 877-257-5841 for price and delivery. Typical lead time is four to six weeks.

Service Life

The service life of an acrylic Reflexor is virtually unlimited when used within the recommended temperature limit. The Model 816i molded in acrylic material will provide satisfactory service for a period of five years.

Notice

A.L.P. Lighting Components, Inc. assumes no responsibility for suitability of luminaires and applications. The use of our molded products at excessive temperatures with high UV output light sources will cause degradation of the material. Information regarding the use of lenses and refractors with Metal Halide lamps can be found in the Products/Technical Resources section of our web site at www.alplighting.com.



Model 816i

10.9" high
16" diameter

PRISMATIC REFLEXOR
OPEN OR CLOSED LUMINAIRE
COMMERCIAL, INDUSTRIAL,
DECORATIVE APPLICATIONS

Efficiency: 83.8%
Uplight: 22.8%
CIE type: Semi-Direct
Luminaire spacing Criteria: 1.6

Material: Interface 105 acrylic

U.S. Patent No. 6,550,938

800 Series Products:

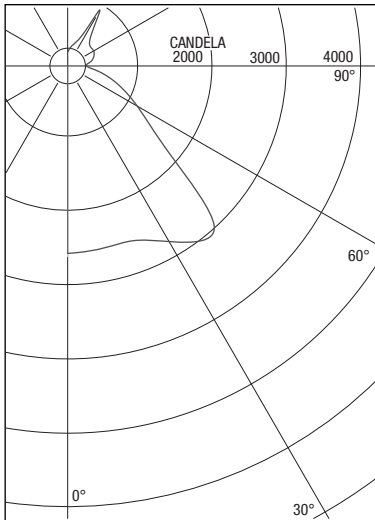
- 9" Model 809
- 11" Model 811
- 12" Model 812
- 12" Model 812i interface
- 12" Model 812 Designer
- 16" Model 816
- 16" Model 816U lightweight
- 16" Model 816i interface
- 16" Model 16CDL Conical Drop Lens
- 22" Model 822
- 22" Model 822GV lightweight
- 22" Model 822i interface
- 22" Model 22CDL Conical Drop Lens
- 22" Model 22SCDL Silicone Conical Drop Lens
- 25" Model 825
- 25" Models 825A & 825M Prismatic Lenses



A.L.P.
LIGHTING COMPONENTS, INC.
WEB SITE: WWW.ALPLIGHTING.COM

LEXALITE

Model 816i



Report Number: ITL53597
 Total Luminaire Efficiency: 83.8%
 CIE Type: Semi-Direct
 Luminaire Spacing Criteria: 1.6

Photometrics

The unique design of the 816 interface Reflexor permits a broad range of lighting distributions to be achieved efficiently. A 175 watt, E-28 clear metal halide lamp at 7.5 inch light center position gives spacing criteria of 1.6, overall efficiency of 83.8% and 22.8% uplight of the luminaire (ITL53597).

Lumen Summary

Zone	Lumens	%Lamp	%Fixture
0-30	2201	15.7	18.8
0-40	4012	28.7	34.2
0-60	7239	51.7	61.7
0-90	9052	64.7	77.2
90-120	1071	7.7	9.1
90-130	1445	10.3	12.3
90-150	2283	16.3	19.5
90-180	2678	19.1	22.8
0-180	11730	83.8	100.0

Luminance Data in Candela/Sq M at 0° plane

Angle	Average
45°	22298
55°	10467
65°	7173
75°	4890
85°	3122

Tested in accordance with IES standards. Lamp is a 175 watt metal halide lamp.
 Lumen rating = 14,000. Lamp center located at 7.5 inches above lower rim.

Accessories

Smooth Flat lens (816SFL):

16" diameter acrylic or polycarbonate.

Prismatic Drop Lens (350, 351):

16" diameter, acrylic or polycarbonate.

Conical Drop Lens (16CDL):

16" diameter, prismatic, acrylic or polycarbonate.

The above, with the exception of the polycarbonate 816SFL, will be found in UL's Recognized Component Directory under file number E134182.

Stainless Steel Clamp Band

For attachment of bottom closure.

Smooth Collar

Aluminum painted white.

Faceted Collar

Aluminum painted white.

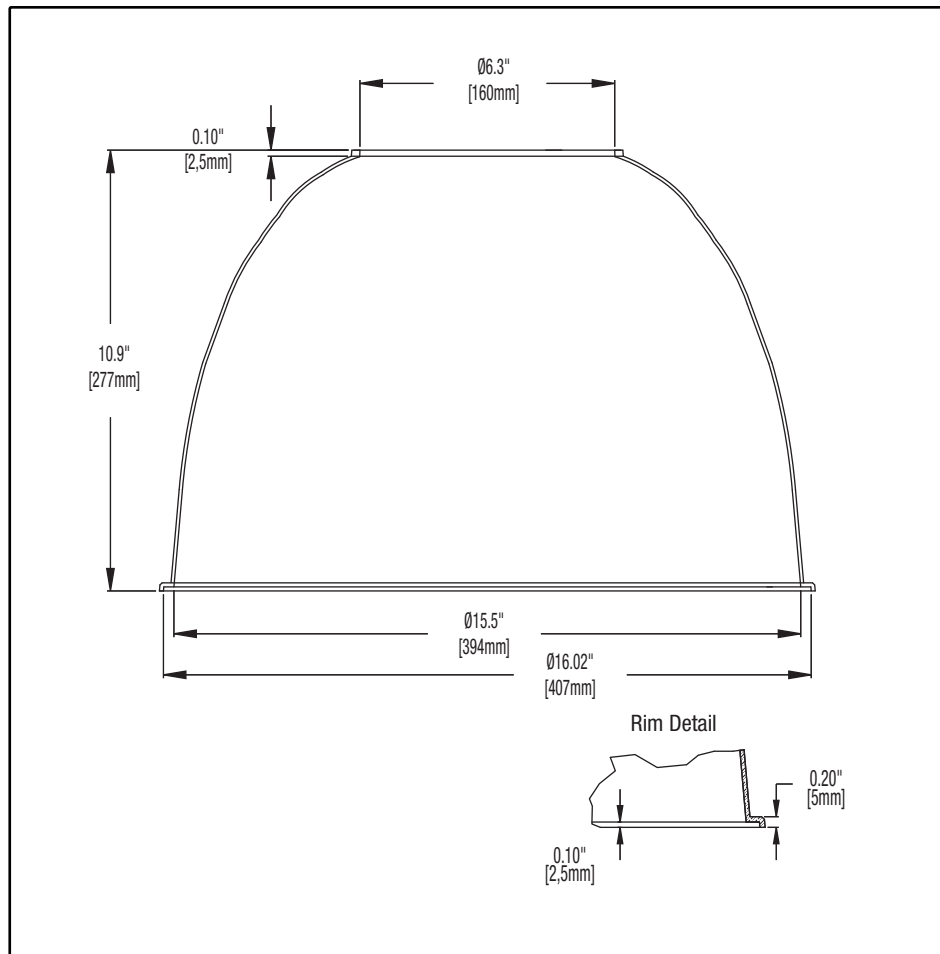
Wire Guard

Provides lamp protection; attaches to Model 816 with clamp band.

Materials

See the LexaLite brand price list for current part numbers and material offerings. Up-to-date and detailed material specifications can be found in the Products/Technical Resources section of our web site at www.alplighting.com.

When using an acrylic Model 816i, the surface temperature of the Reflexor should not exceed 80°C.



This drawing is for reference only. Actual part dimensions will vary. Customer is urged to review actual samples to confirm fit and function. All specifications and dimensions are subject to change without notice.