

PRISMATIC REFLEXOR®

Model 816



Model 816

Description

This energy efficient 16" diameter prismatic Reflexor® is designed to be used in either open or closed fixtures for industrial, commercial, and decorative lighting.

Application

This Reflexor is particularly suited for low and medium bay industrial applications where low brightness and high vertical footcandles are required. Light colored ceilings utilize its inherent uplight component, reducing contrast and improving uniformity.

Lamp Data

The Model 816 is capable of being used with up to 250 watt HID lamps in industrial and commercial applications. To achieve best uniformity, LexaLite® recommends using coated metal halide lamps or diffuse high pressure sodium lamps. Please reference LexaLite's Reflexor Standard HID Acrylic Application Recommendations for ambient temperature guidelines. Fixture design, reflector configuration, lamp position, and ambient temperature will affect the inside surface temperature. Thermal tests should be conducted on each luminaire design to confirm appropriate lamp size for the application.

Ordering Information

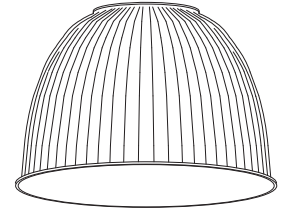
Please call 877-257-5841 for price and delivery. Typical lead time is four to six weeks.

Service Life

The service life of an acrylic Reflexor is virtually unlimited when used within the recommended temperature limit. Acrylic molded versions of our Prismatic Reflexor series are covered by our 10 year limited warranty. Polycarbonate versions are virtually indestructible and are subject to yellowing when used with high ultraviolet output light sources; this effect is enhanced at high temperatures.

Notice

A.L.P. Lighting Components, Inc. assumes no responsibility for suitability of luminaires and applications. The use of our molded products at excessive temperatures with high UV output light sources will cause degradation of the material. Information regarding the use of lenses and refractors with Metal Halide lamps can be found in the Products/Technical Resources section of our web site at www.alplighting.com.



Model 816

10.9" high
16" diameter

PRISMATIC REFLEXOR
OPEN OR CLOSED LUMINAIRE
COMMERCIAL, INSTITUTIONAL,
DECORATIVE APPLICATIONS

Efficiency: 94.5%
Uplight: 19.7%
CIE type: Semi-Direct
Luminaire spacing Criteria: 1.8

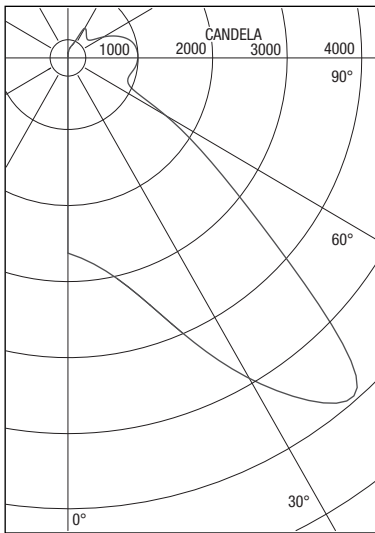
Materials: Acrylic,
Acrylic Moon Glow™,
Polycarbonate and
Custom Colors

800 Series Products:

9" Model 809
11" Model 811
12" Model 812
12" Model 812i interface
12" Model 812 Designer
16" Model 816
16" Model 816U lightweight
16" Model 816i interface
16" Model 16CDL Conical Drop Lens
22" Model 822
22" Model 822GV lightweight
22" Model 822i interface
22" Model 22CDL Conical Drop Lens
22" Model 22SCDL Silicone Conical Drop Lens
25" Model 825
25" Models 825A & 825M Prismatic Lenses



Model 816



Report Number: ITL45097
 Total Luminaire Efficiency: 94.5%
 CIE Type: Semi-Direct
 Luminaire Spacing Criteria: 1.8

Accessories

Smooth Flat lens (816SFL):

16" diameter acrylic or polycarbonate.

Prismatic Drop Lens (350, 351):

16" diameter, acrylic or polycarbonate.

Conical Drop Lens (16CDL):

16" diameter, prismatic, acrylic or polycarbonate.

Stainless Steel Clamp Band

For attachment of bottom closure.

Smooth Collar

Aluminum painted white.

Faceted Collar

Aluminum painted white.

Wire Guard

Provides lamp protection; attaches to Model 816 with clamp band.

Materials

See the LexaLite brand price list for current part numbers and material offerings. Up-to-date and detailed material specifications can be found in the Products/Technical Resources section of our web site at www.alplighting.com.

When using an acrylic Model 816, the surface temperature of the Reflexor should not exceed 80°C. When using a polycarbonate Model 816, the surface temperature of the Reflexor should not exceed 90°C.

Photometrics

The unique design of the Model 816 permits a broad range of lighting distributions to be achieved efficiently. A 250 watt phosphor metal halide lamp at 7.5 inch light center position yields a spacing criteria of 1.8, overall efficiency of 94.5% and 19.7% uplight of the luminaire (ITL45097).

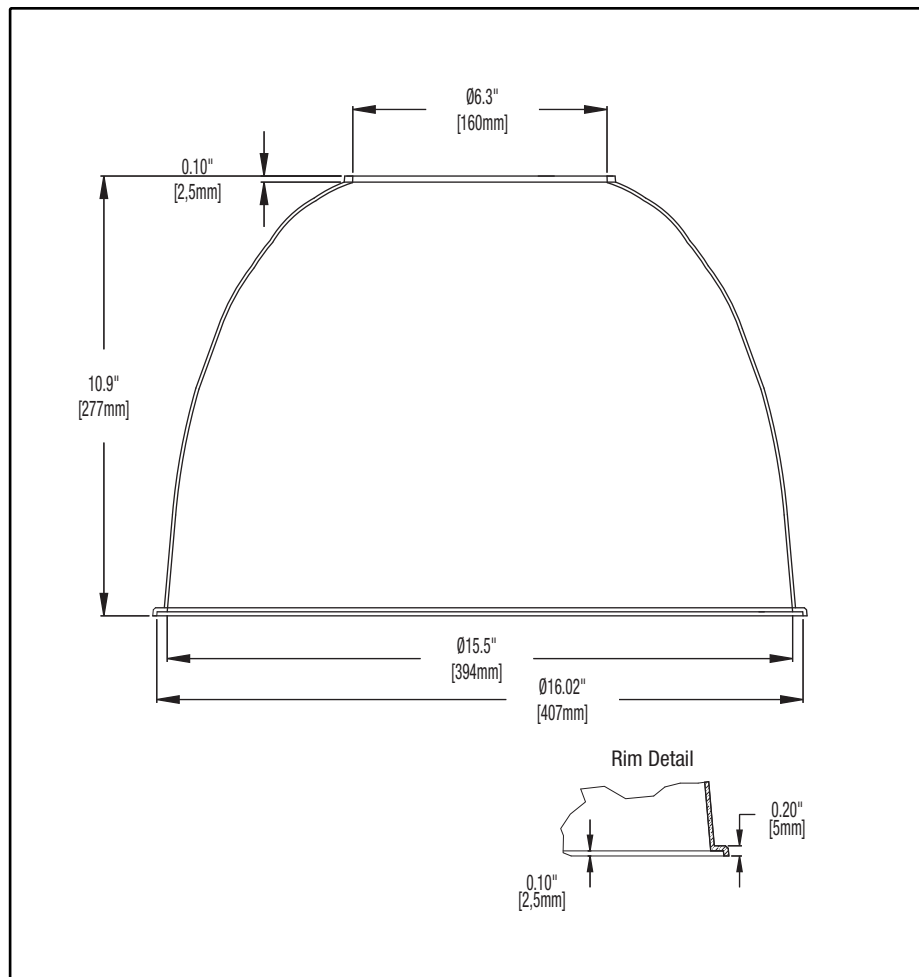
Lumen Summary

Zone	Lumens	%Lamp	%Fixture
0- 30	3128	15.3	16.2
0- 40	6733	32.8	34.8
0- 60	12514	61	64.6
0- 90	15555	75.9	80.3
90-120	2615	12.8	13.5
90-130	3013	14.7	15.6
90-150	3558	17.4	18.4
90-180	3815	18.6	19.7
0-180	19370	94.5	100

Luminance Data in Candela/SQ M

Angle	Average
45°	37107
55°	18166
65°	9120
75°	7908
85°	9669

Tested in accordance with IES standards. Lamp is a 250 watt phosphor coated metal halide lamp. Lumen rating = 20,500. Lamp center located at 7.5 inches above lower rim.



This drawing is for reference only. Actual part dimensions will vary. Customer is urged to review actual samples to confirm fit and function. All specifications and dimensions are subject to change without notice.