

# PRISMATIC REFLEXOR®

## Model 812



Model 812

### Description

This energy efficient 12.43" diameter prismatic Reflexor is designed to be used in open or closed luminaires for industrial, commercial and decorative lighting.

### Application

This Reflexor is suitable for low bay industrial applications where low apparent brightness and high vertical footcandles are required. The Model 812 Designer Series offers standard and custom colors for your decorative application. Please refer to the Model 812 Designer Series data sheet for further information.

### Lamp Data

The Model 812 is capable of being used with up to 150 watt HID lamps. To achieve best uniformity, LexaLite recommends using coated metal halide lamps or diffuse high pressure sodium lamps. Please reference LexaLite's Reflexor Standard HID Acrylic Application Recommendations for ambient temperature guidelines. Luminaire design, reflector

configuration, lamp position and ambient temperature will affect the inside surface temperature. Thermal tests should be conducted on each luminaire design to confirm appropriate lamp size for the application.

### Ordering Information

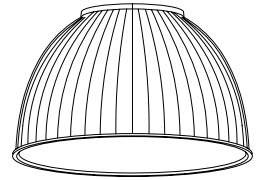
Please call 800-228-5275 or 231-547-6584 for price and delivery. Typical lead time is four to six weeks.

### Service Life

The service life of acrylic Reflexors is virtually unlimited when used within the recommended temperature limit. Acrylic versions are covered by our 10 year limited warranty.

### Notice

LexaLite assumes no responsibility for suitability of luminaires and applications. The use of Reflexors at excessive temperatures with high UV output light sources will cause degradation of the material.



## Model 812

7.47" high  
12.43" diameter

PRISMATIC REFLEXOR  
OPEN OR CLOSED LUMINAIRE  
COMMERCIAL, INSTITUTIONAL,  
DECORATIVE APPLICATIONS

Efficiency: 95.8%  
Uplight: 17.8%  
CIE type: Semi-Direct  
Luminaire spacing criteria: 1.7, 1.3

Materials: Acrylic,  
Acrylic Moon Glow White,  
Polycarbonate, and  
Custom Colors

U.S. Patent No. 4,839,781  
Canada Patent No. 1302997  
New Zealand Patent No. 228438  
EU Patent No. 0337351  
Australia Patent No. 608147  
Mexico Patent No. 165.488

Additional 800 Series Products:

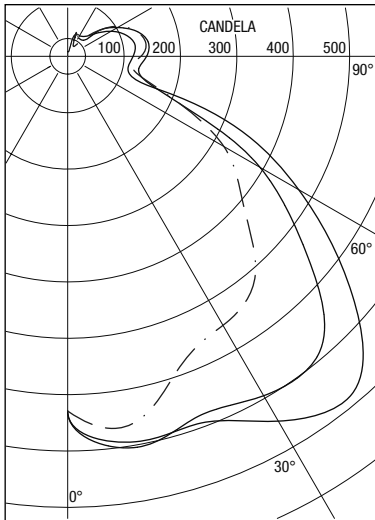
9" Model 809  
11" Model 811  
12" Model 812 Designer Series  
12" Model 812 interface  
16" Model 816  
16" Model 816 interface  
22" Model 822  
22" Model 822 interface  
22" Model 822TL  
25" Model 825



**A.L.P.**  
LIGHTING COMPONENTS, INC.  
WEB SITE: WWW.ALPLIGHTING.COM

 **LEXALITE**

# Model 812



Report Number: ITL53820  
 Total Luminaire Efficiency: 95.8%  
 CIE Type: Semi-Direct  
 Luminaire Spacing Criteria: 1.7, 1.3

## Photometrics

The unique design of the Model 812 permits a broad range of lighting distributions to be achieved efficiently. Adjustments in the light center position produce spacing criteria from .9–2.2. A 42 watt compact fluorescent at a 4.5 inch light center position yields a spacing criteria of 1.7, 1.3 overall efficiency of 95.8% and 17.8% uplight of luminaire (ITL53820).

Lumen Summary			
Zone	Lumens	%Lamp	%Fixture
0–30	566	17.7	18.4
0–40	1007	31.5	32.8
0–60	1953	61	63.7
0–90	2520	78.8	82.2
90–120	382	11.9	12.4
90–130	454	14.2	14.8
90–150	520	16.3	17
90–180	547	17.1	17.8
0–180	3067	95.8	100.

## Luminance Data in Candela/SQ M at 0° plane

Angle	Average
45°	9047
55°	7172
65°	4863
75°	2074
85°	2668

Tested in accordance with IES standards. Lamp is a 42 watt compact fluorescent. Lumen rating=3200. Lamp center located at 4.5 inches above lower rim.

## Accessories

**Smooth Flat Lens (812SFL)** 12" diameter acrylic or polycarbonate lens.

**Domed Lens (12ASDE, 12PSDE)** 12" diameter acrylic (12ASDE), or polycarbonate (12PSDE) lens.

**Conical Drop Lens (12CDL)** 12" diameter acrylic or polycarbonate lens.

The above, with the exception of the Model 12ASDE will be found in UL's Recognized Component Directory under file number E134182.

### Stainless Steel Clamp Band

For attachment of bottom closure.

## Materials

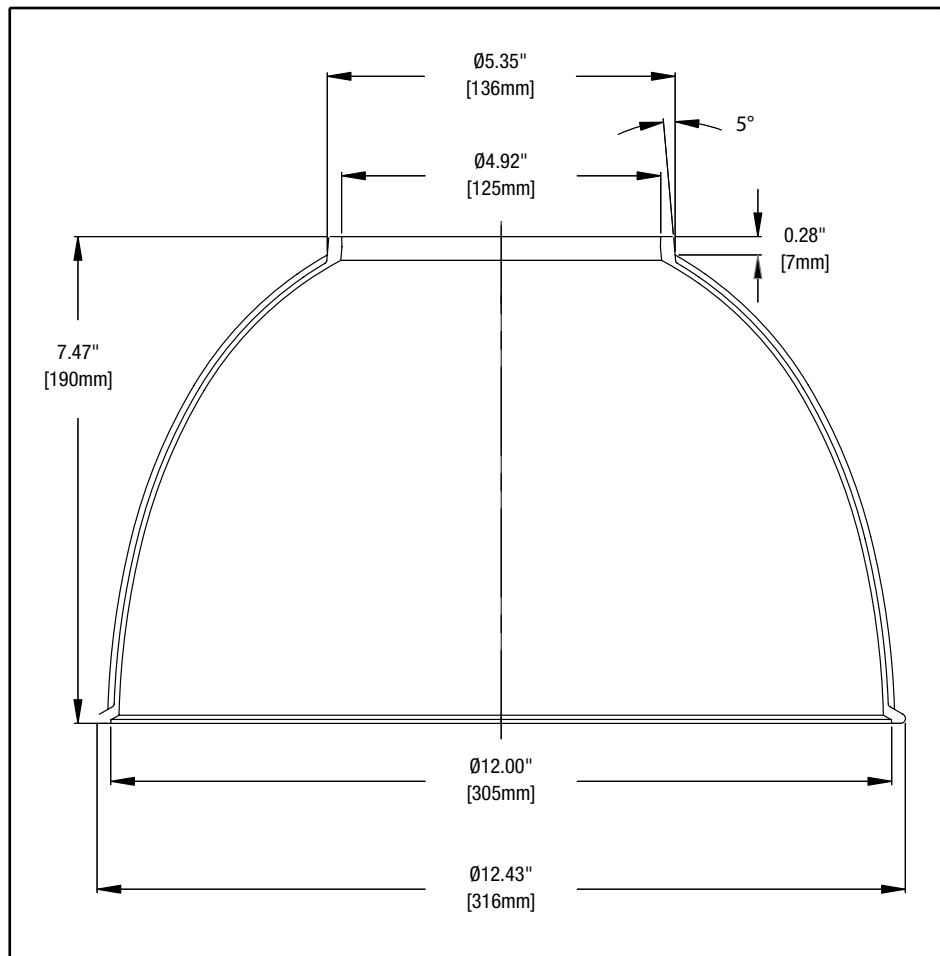
Clear acrylic: Molded in Underwriters Laboratory (UL) recognized Altuglas International Plexiglas® V-825-HID, Lucite International Inc. Perspex® CP-75-HID, Plaskolite Optix® CA-75HID or CYRO Acrylite® S-10-453.

Clear polycarbonate: Molded in UL recognized Bayer lighting grade polycarbonates including Makrolon® LTG 3123, Makrolon® LTG 2623, or GE Lexan® grade 243.

Other: Clear impact acrylic, UL recognized acrylic Moon Glow white and custom colors.

Please visit our web site for the most current material specifications.

When using an acrylic Model 812, the surface temperature of the Reflexor should not exceed 80°C. When using a polycarbonate Model 812, the surface temperature of the Reflexor should not exceed 90°C.



**This drawing is for reference only. Actual part dimensions will vary. Customer is urged to review actual samples to confirm fit and function. All specifications and dimensions are subject to change without notice.**

