

# PRISMATIC REFLEXOR®

## Model 809



Model 809

### Description

For decorative lighting applications, LexaLite offers an 8.88" diameter by 5.86" high prismatic Reflexor. Featuring excellent performance and a clean, crystal-like appearance, the Model 809 is lightweight at 10 ounces making it ideal for track or pendant mount applications.

Standard mounting features a 3 position keyway slot mounting arrangement. Please contact your LexaLite representative to discuss other mounting options.

The acrylic versions of the Model 809 Reflexor are available in clear, bead (diffuse acrylic), lime green, and metalized. Polycarbonate versions are available in clear, blue, red, green, and amber. Custom colors are available, contact your LexaLite representative for pricing.

### Application

The Model 809 can be used in residential, commercial, retail, or other decorative applications.

### Lamp Data

The Model 809 Reflexor is designed for use with 35 watt compact metal halide or up to 42

watt compact fluorescent lamps. Acrylic versions are designed for continuous service of up to 80°C temperature maximum. Luminaire design, reflector configuration, lamp position and ambient temperature will affect the inside surface temperature. Thermal tests should be conducted on each luminaire design to confirm appropriate lamp size for the application.

### Ordering Information

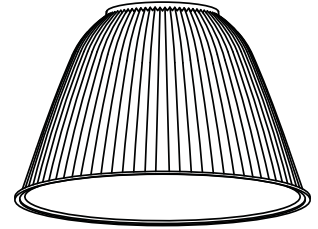
Please call 877-257-5841 for price and delivery. Typical lead time is four to six weeks.

### Service Life

The service life of an acrylic Reflexor is virtually unlimited when used within the recommended temperature limit. Acrylic molded versions of our Prismatic Reflexor series are covered by our 10 year limited warranty. Polycarbonate versions are virtually indestructible and are subject to yellowing when used with high ultraviolet output light sources; this effect is enhanced at high temperatures.

### Notice

A.L.P. Lighting Components, Inc. assumes no responsibility for suitability of luminaires and applications. The use of our molded products at excessive temperatures with high UV output light sources will cause degradation of the material.



## Model 809

5.86" high  
8.88" diameter

PRISMATIC REFLEXOR  
OPEN OR CLOSED LUMINAIRE  
RESIDENTIAL, RETAIL, COMMERCIAL  
APPLICATIONS

Efficiency: 91.7%  
Uplight: 21.4%  
CIE type: Semi-Direct  
Luminaire spacing criteria: 1.6

Materials: Acrylic,  
Acrylic Bead,  
Polycarbonate, and  
Custom Colors  
Metalized acrylic versions available.

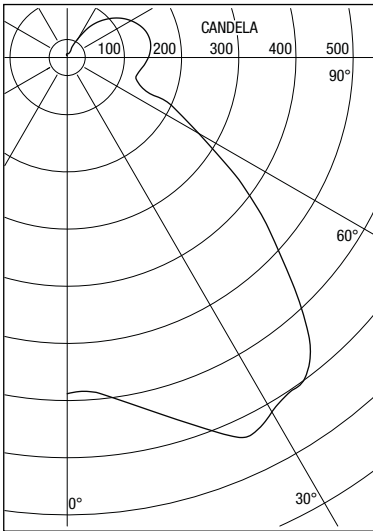
800 Series Products:  
9" Model 809  
11" Model 811  
12" Model 812  
12" Model 812i interface  
12" Model 812 Designer  
16" Model 816  
16" Model 816U lightweight  
16" Model 816i interface  
16" Model 16CDL Conical Drop Lens  
22" Model 822  
22" Model 822GV lightweight  
22" Model 822i interface  
22" Model 22CDL Conical Drop Lens  
25" Model 825  
25" Models 825A & 825M Prismatic Lenses



**A.L.P.**  
LIGHTING COMPONENTS, INC.  
WEB SITE: [WWW.ALPLIGHTING.COM](http://WWW.ALPLIGHTING.COM)

**LEXALITE**

# Model 809



Report Number: LL02729, open bottom  
 Total Luminaire Efficiency: 91.7%  
 Uplight: 21.4%  
 CIE Type: Semi-Direct  
 Luminaire Spacing Criteria: 1.6

## Accessories

### Smooth Flat Lens (809SFL):

8.5" diameter clear acrylic, bead acrylic or clear polycarbonate lenses. These lenses will be found in UL's Recognized Component Directory under file number E134182, designated 8xxSFL.

## Materials

See the LexaLite brand price list for current part numbers and material offerings. Up-to-date and detailed material specifications can be found in the Products/Technical Resources section of our web site at [www.alplighting.com](http://www.alplighting.com).

When using an acrylic Model 809, the surface temperature of the Reflexor should not exceed 80°C. When using a polycarbonate Model 809, the surface temperature of the Reflexor should not exceed 90°C.

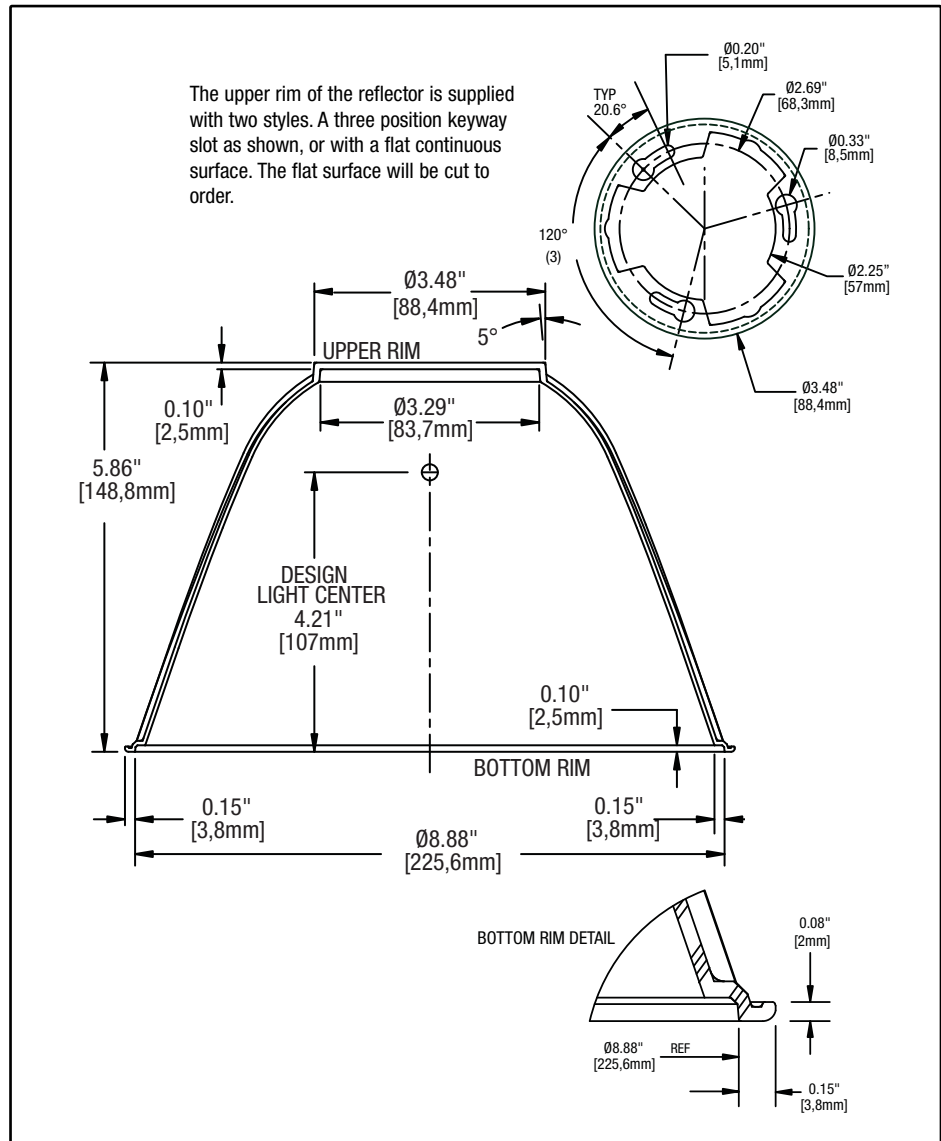
## Photometrics

The unique design of the Model 809 provides a narrow distribution for accent lighting with minimal sidewall brightness. A 42 watt compact fluorescent lamp at a 3.3 inch light center position yields a spacing criteria of 1.6, overall efficiency of 91.7% and 21.4% uplight of luminaire (LL02729), open bottom.

### Lumen Summary

Zone	Lumens	%Lamp	%Fixture
0-30	578	18.1	19.7
0-40	1015	31.7	34.6
0-60	1765	55.2	60.1
0-90	2251	70.4	76.7
90-120	451	14.1	15.4
90-130	557	17.4	19.0
90-150	670	20.9	22.8
90-180	684	21.4	23.3
0-180	2935	91.7	100

Tested in accordance with IES standards. Lamp is a 42 watt compact fluorescent. Lumen rating=3200. Lamp center located at 3.3 inches above lower rim.



This drawing is for reference only. Actual part dimensions will vary. Customer is urged to review actual samples to confirm fit and function. All specifications and dimensions are subject to change without notice.